

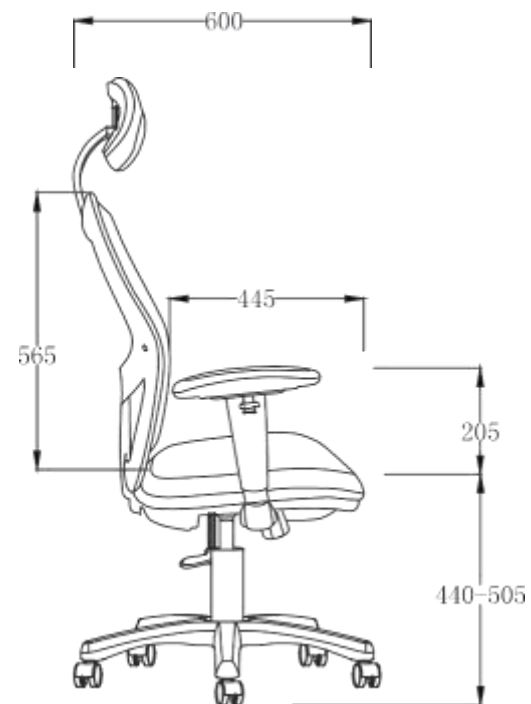
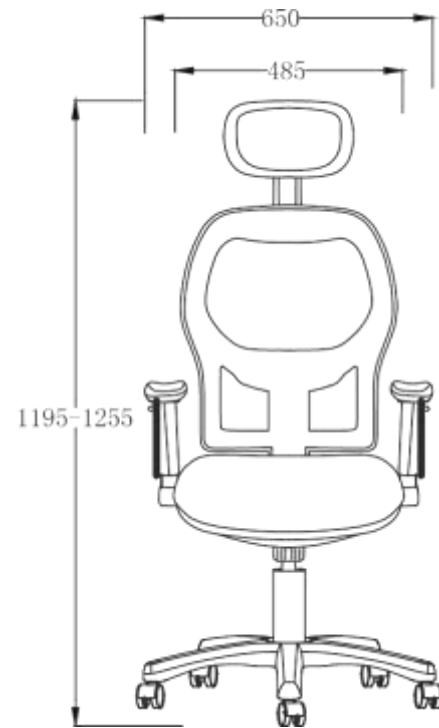


Born For seating

# Born For Seating

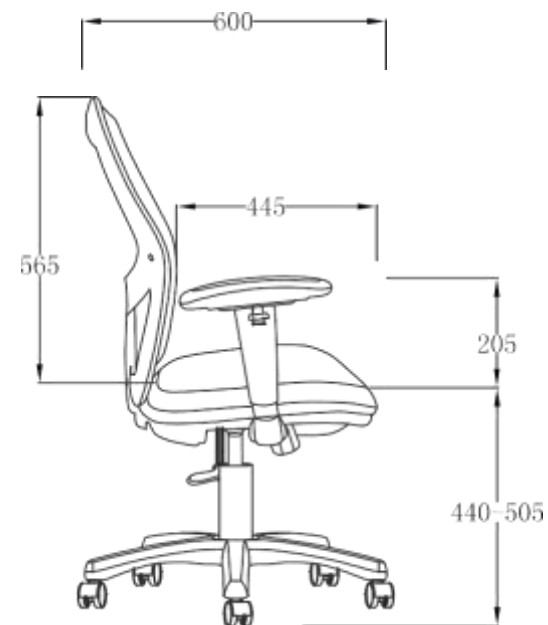
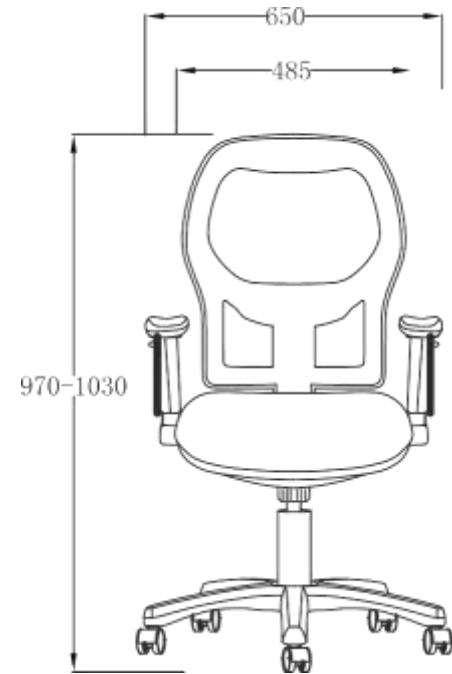
Ergonomic office chair





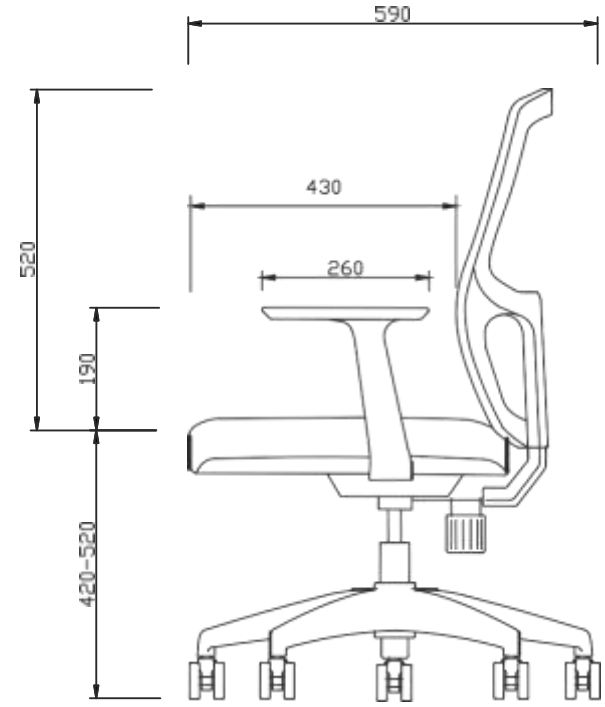
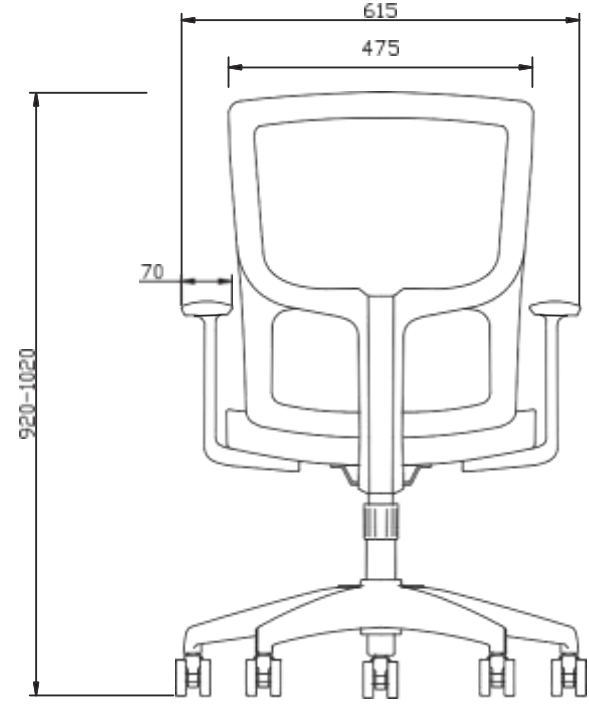
### Remark

- 1: High back office chair with nylon glass fiber frame
- 2: Up and down adjustable headrest
- 3: 2D armrest (left and right, up and down)
- 4: 40 high density foam
- 5: One position lock mechanism
- 6: Adjustable Cushion lumbar support
- 7:  $\phi$  320 Aluminium base
- 8: 120#3 chrome gaslift
- 9:  $\phi$  50mm black nylon casters



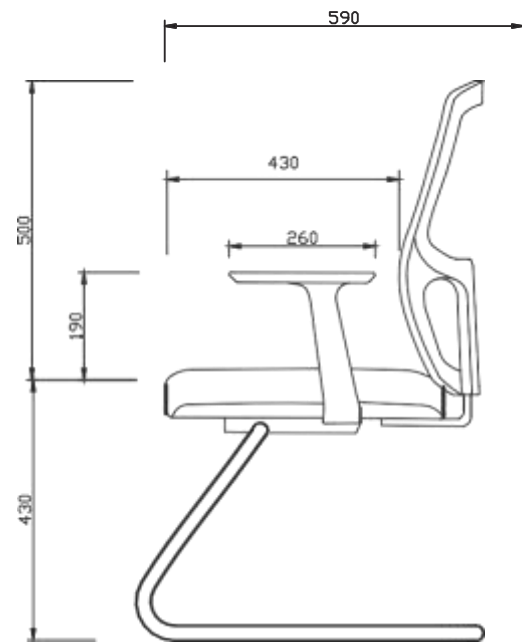
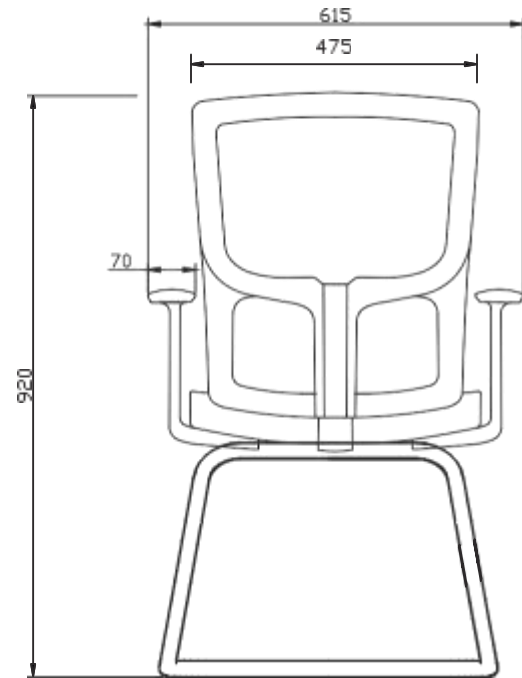
### Remark

- 1:Medium back office chair with nylon glass fiber frame
- 2: 2D armrest (left and right, up and down)
- 3:40 high density foam
- 4:One position lock mechanism
- 5:Adjustable Cushion lumbar support
- 6:  $\phi$  320Aluminium base
- 7:120#3 chrome gaslift
- 8:  $\phi$  50mm black nylon casters



**Remark**

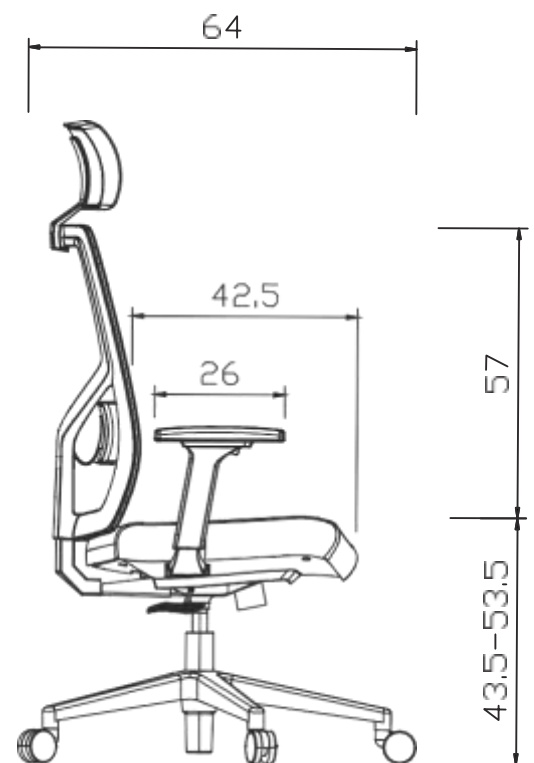
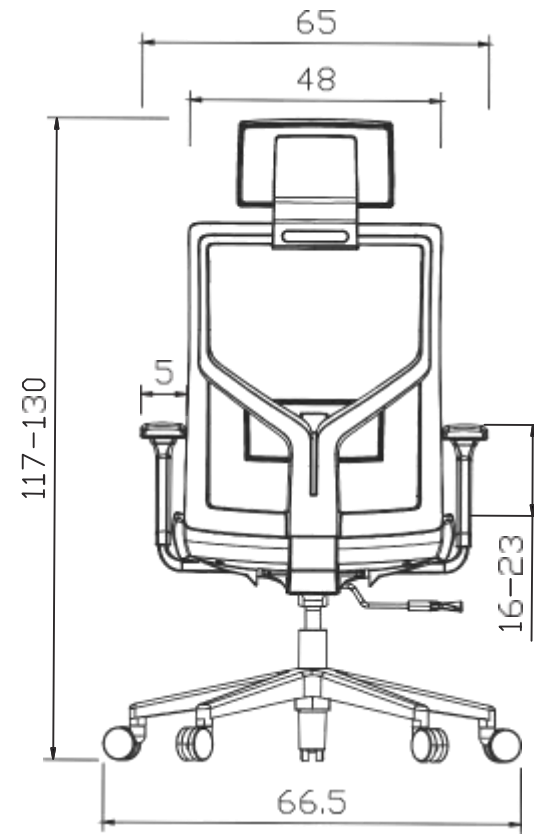
- 1:Black PP frame
- 2:40 high density foam
- 3:Simple function mechanism
- 4:T shape fixed PP armrest
- 5: #100mm black gaslift
- 6:#320 nylon base
- 7:50mm black casters



**Remark**

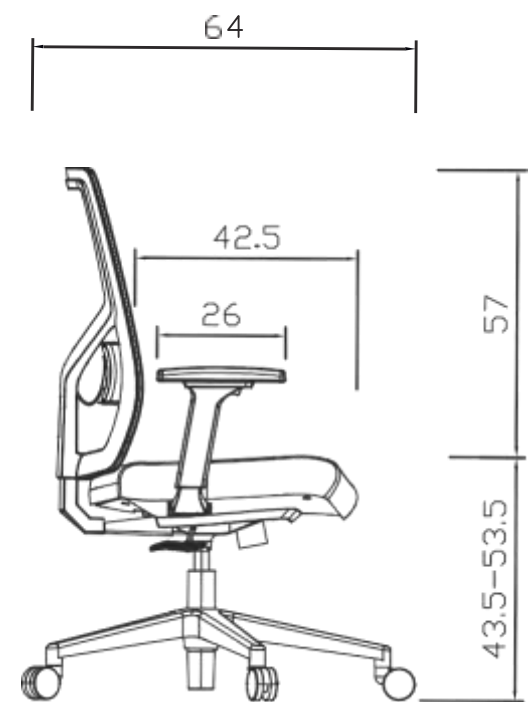
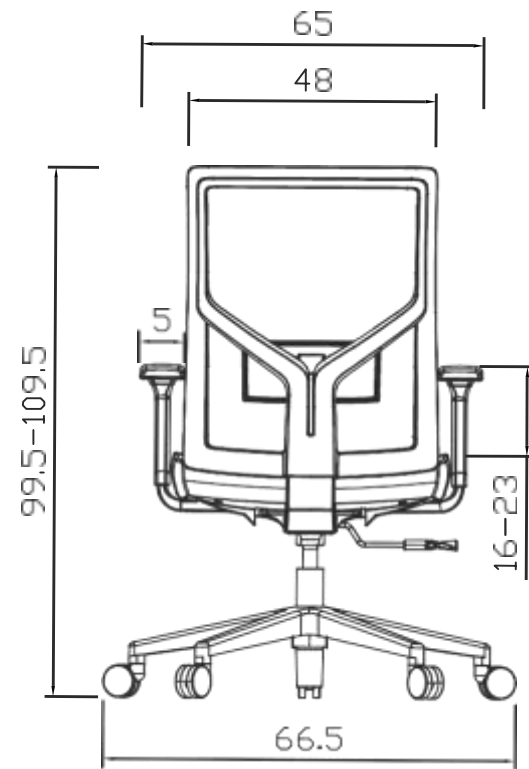
- 1:Black PP back frame
- 2:40 high density foam
- 3:PP fixed armrest
- 4:25 tube 1.8mm black painted bow frame





**Remark**

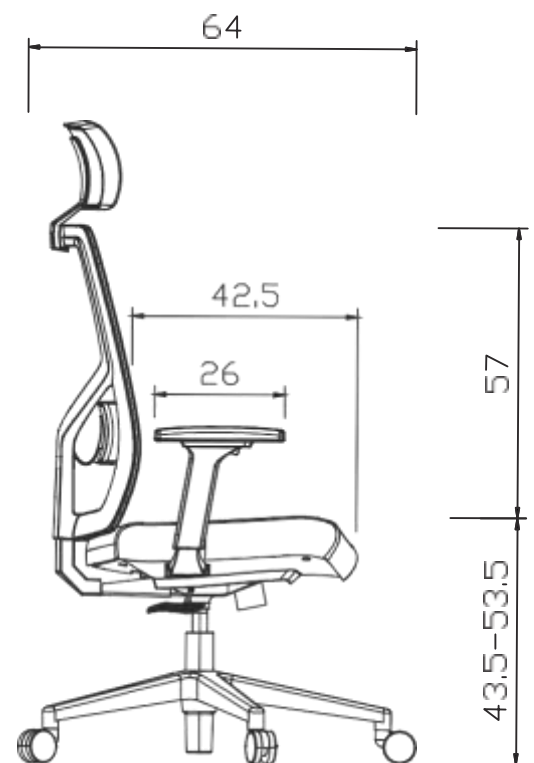
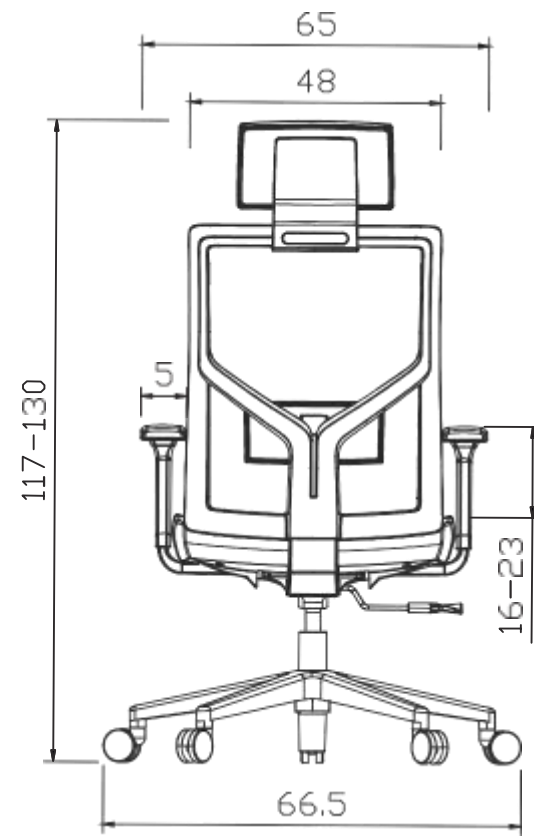
- 1: White glass fiber frame with fixed headrest
- 2: Adjustable lumbar support
- 3: Adjustable armrest
- 4: Moulded foam
- 5: 3 position lock mechanism
- 6: 100#4 black gaslift
- 7: Chrome base
- 8: Nylon casters



**Remark**

- 1:White glass fiber frame
- 2:Adjustable lumbar support
- 3:Adjustable armrest
- 4:Moulded foam
- 5:3 position lock mechanism
- 6:100#4 black gaslift
- 7: Aluminium base
- 8:Nylon casters



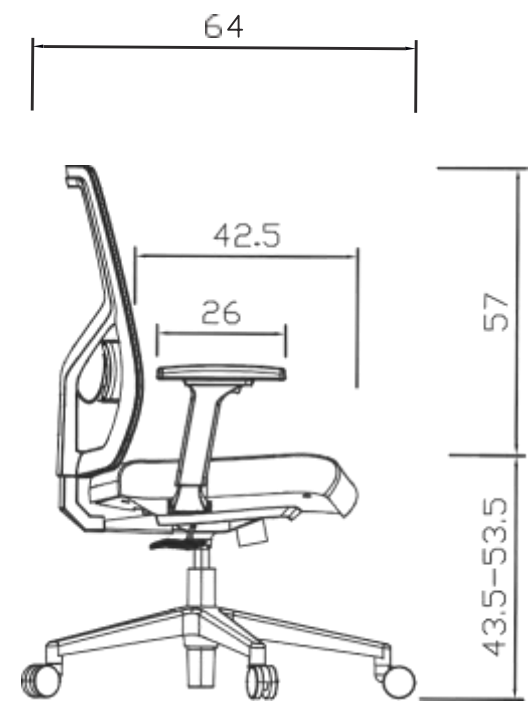
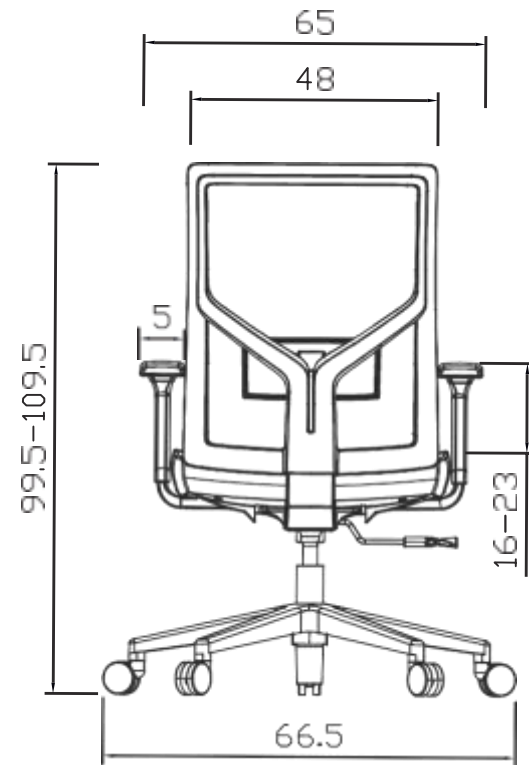


**emark**

- 1:White glass fiber frame with fixed headrest
- 2:Adjustable lumbar support
- 3:Adjustable armrest
- 4:Moulded foam
- 5:3 position lock mechanism
- 6:100#4 black gaslift
- 7:Aluminum base
- 8:Nylon casters

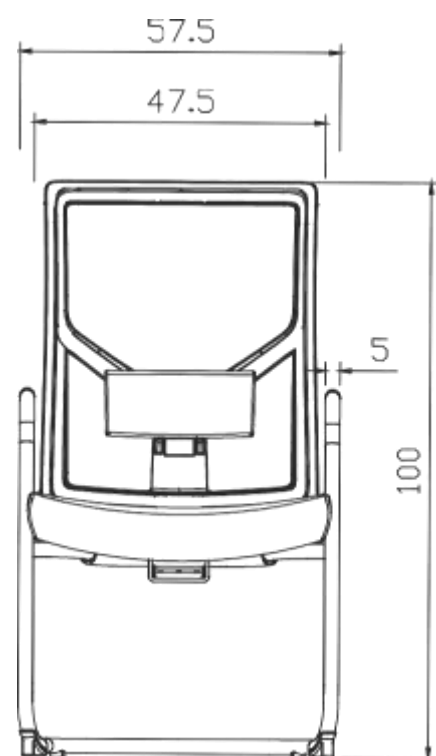
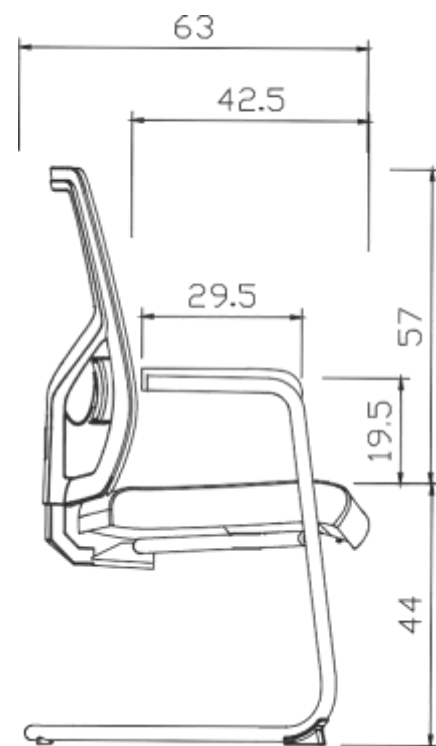






**Remark**

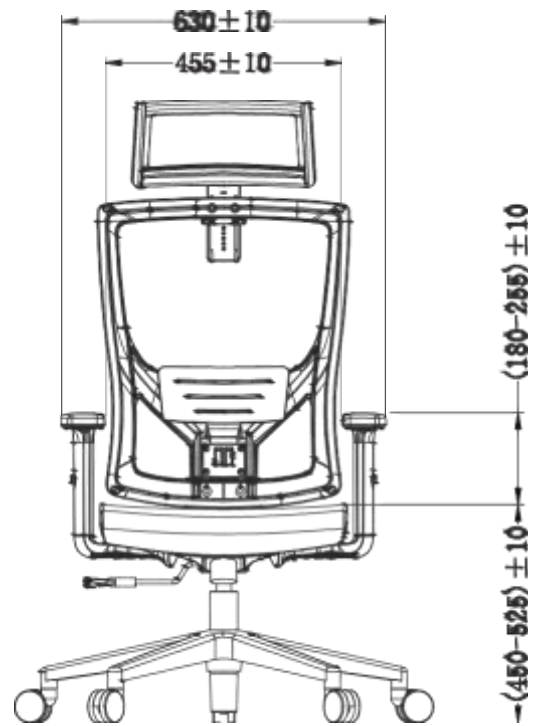
- 1:White glass fiber frame
- 2:Adjustable lumbar support
- 3:Adjustable armrest
- 4:Moulded foam
- 5:3 position lock mechanism
- 6:100#4 black gaslift 7: Aluminium base
- 8:Nylon casters



**Remark**

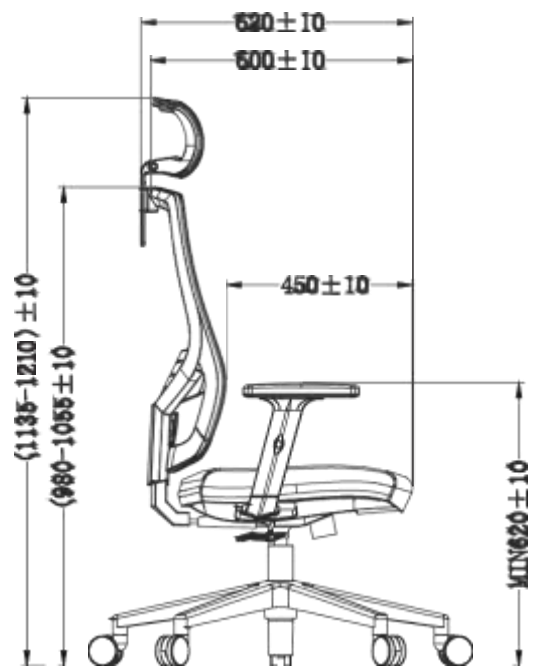
- 1: White glass fiber fram wi th black PP fixed armrest
- 2: Moulded foam

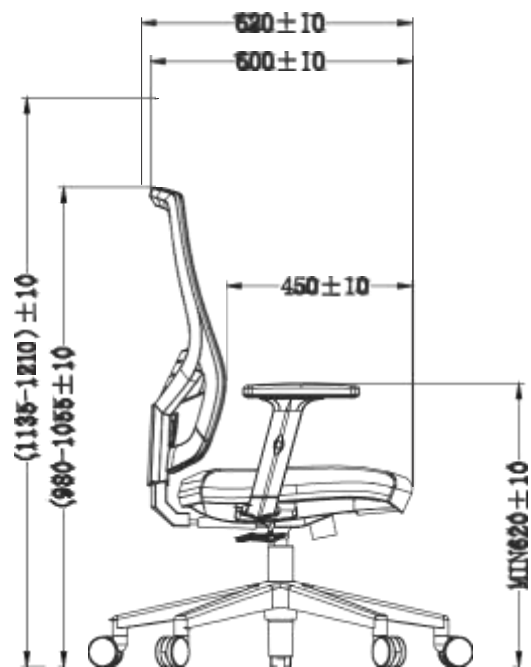




### Remark

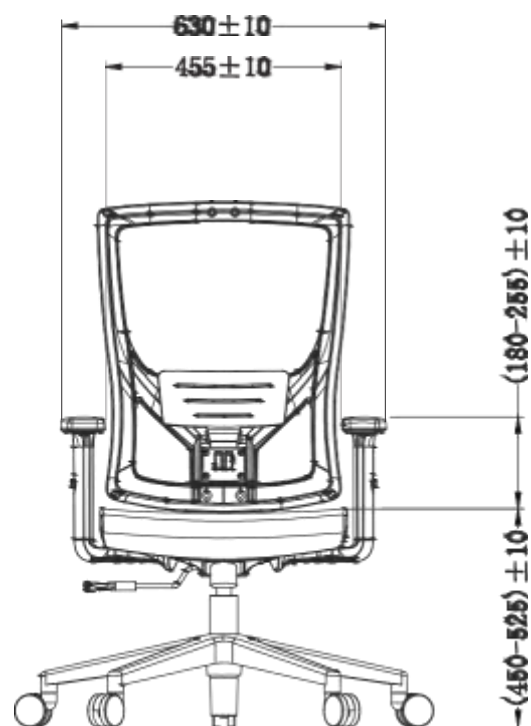
- 1: High back office chair
- 2: Up and down adjustable headrest
- 3: Up and down adjustable armrest
- 4: 40 high density foam
- 5: One position lock mechanism
- 6: Adjustable Lumbar support
- 7: 100#4 black gaslif
- 8: Chrome base 340
- 9: φ 60mm PU black casters

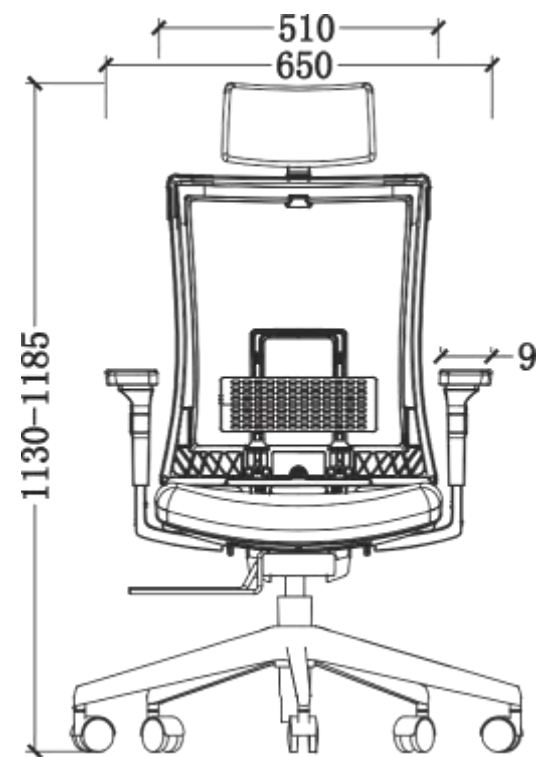
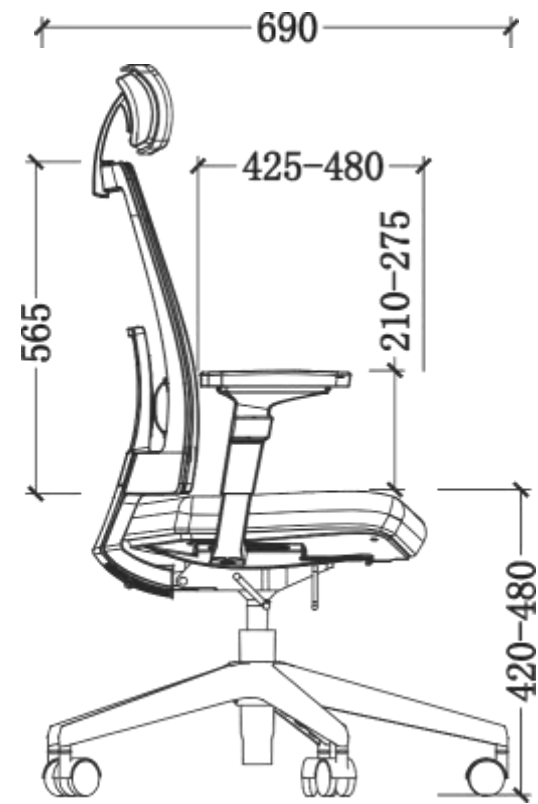




### Remark

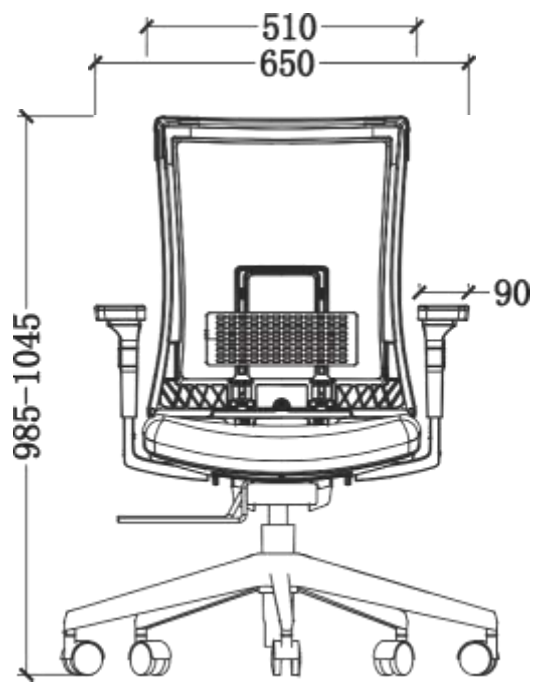
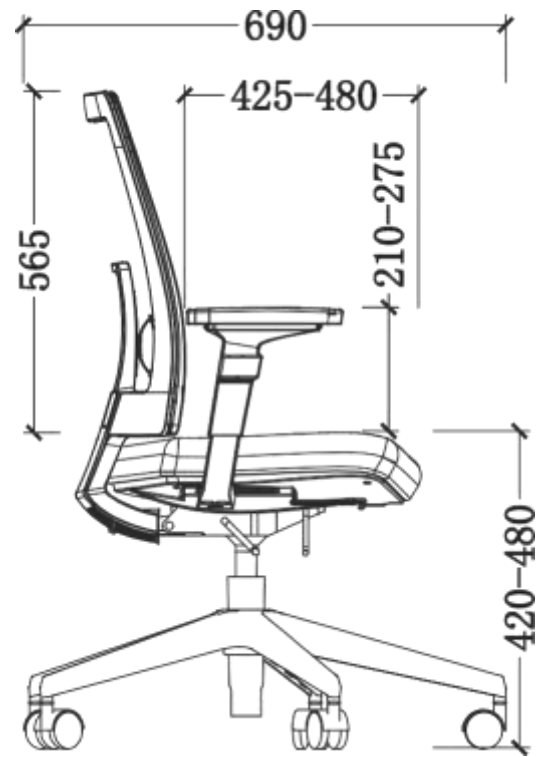
- 1:Medium back office chair with nylon glass fiber frame
- 2: Up and down adjustable armrest
- 3:40 high density foam
- 4:One position lock mechanism
- 5:Adjustable lumbar support
- 6:100#4 black gaslift
- 7:Chrome base 340
- 8: φ 60mm PU black casters





**Remark**

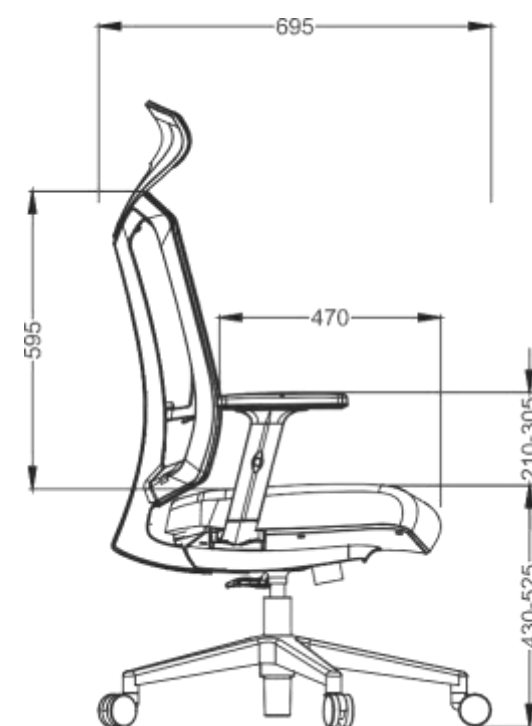
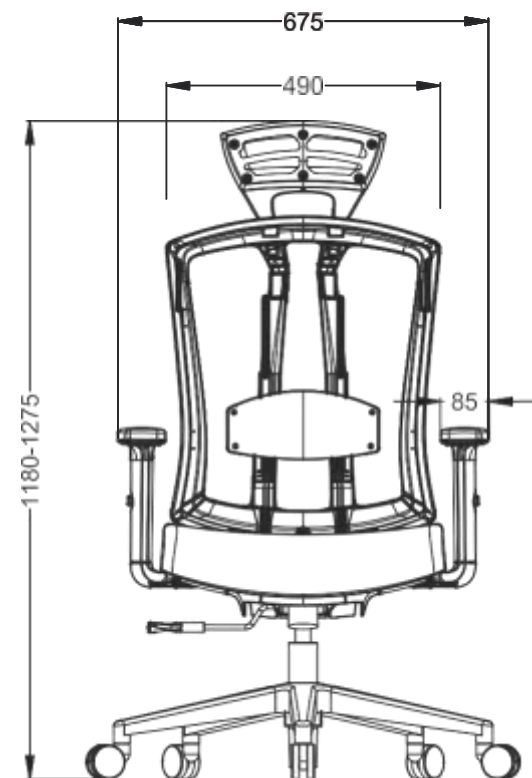
- 1. Nylon glass fiber frame
- 2. Up and down adjustable PU headrest
- 3. Adjustable lumbar support
- 4. PU top 3D armrest
- 5. Moulded foam
- 6. Three position lock mechanism with sliding seat
- 7:100#4 black gaslift
- 8. Chrome base #340
- 9.  $\phi$  60mm PU black casters



**Remark**

- 1. Nylon glass fiber frame
- 2. Adjustable lumbar support
- 3. PU top 3D armrest
- 4. Moulded foam
- 5. Three position lock mechanism with sliding seat
- 6:100#4 black gaslift
- 7. Chrome base #340
- 8.  $\phi$  60mm PU black casters

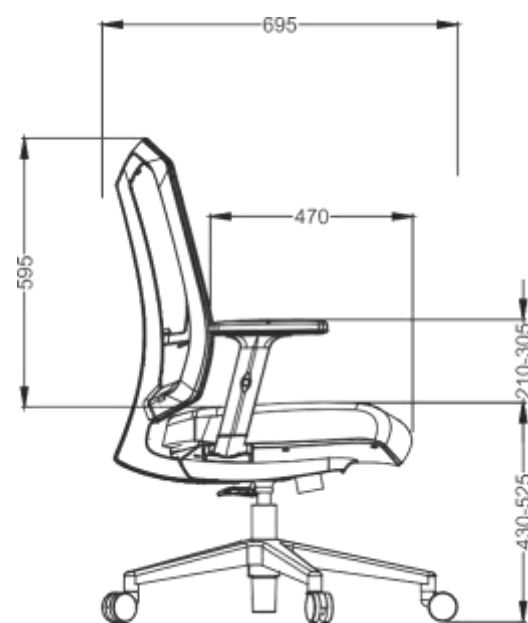
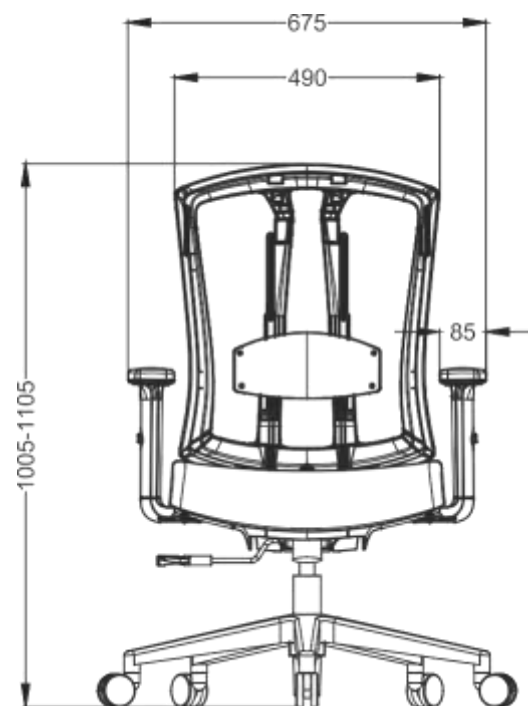
# Chrome Base



## emark

- 1:High back chair with fixed headrest.
- 2:Black nylon frame with glass fiber frame
- 3:Adjustable lumbar support
- 4:Mouled foam cushion, without seat cover
- 5:PU top with up and down adjustable armrest
- 6: Three position lock mechanism
- 7:100#4 black gaslift
- 8:Chrome base #340
- 9:.. φ 60mm PU black casters

# Chrome Base

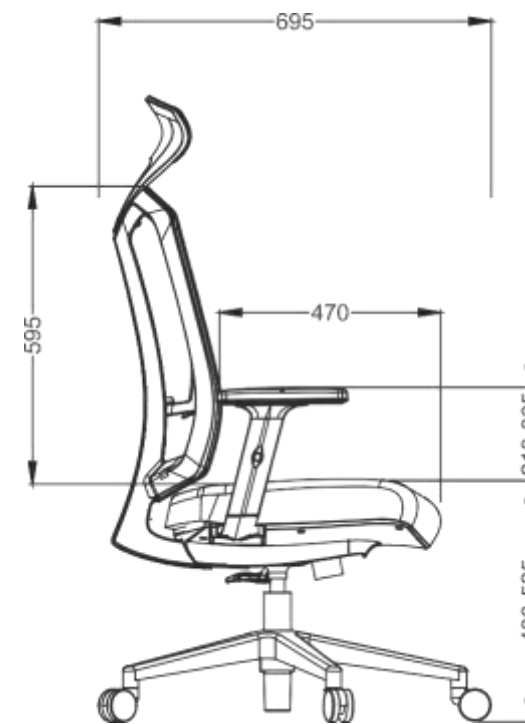
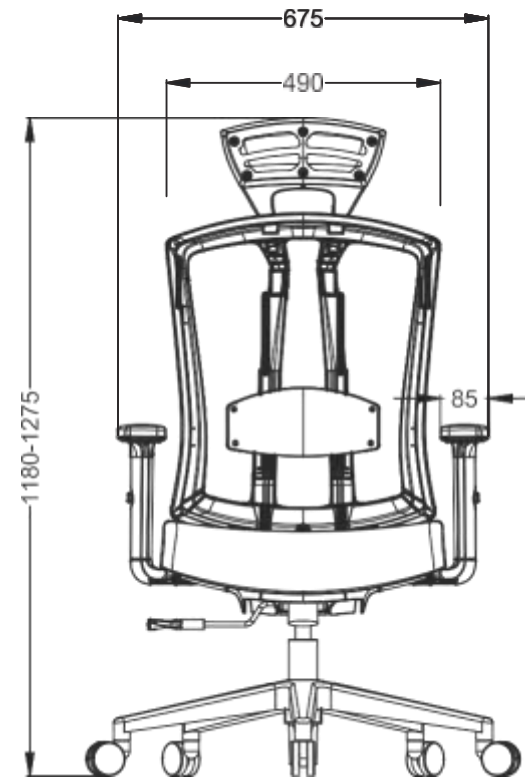


## emark

- 1:Black nylon frame with glass fiber frame
- 2:Adjustable lumbar support
- 3:Mouled foam cushion, without seat cover
- 4:PU top with up and down adjustable armrest
- 5: Three position lock mechanism
- 6:100#4 black gaslift
- 7:Chrome base #340
- 8:..  $\phi$  60mm PU black casters



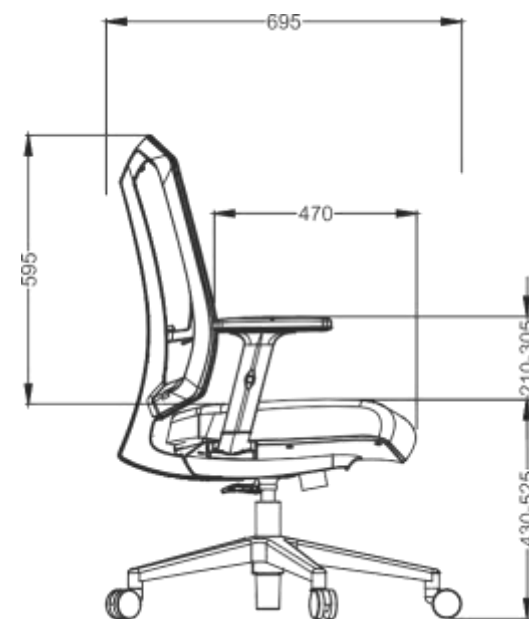
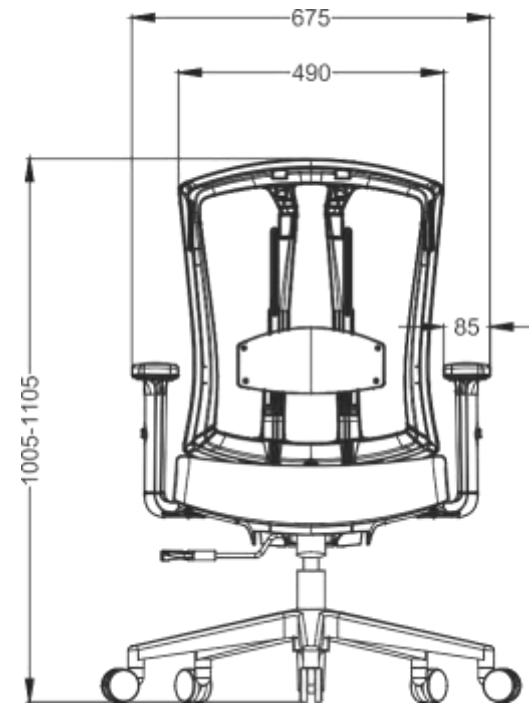
# Nylon Base



## emark

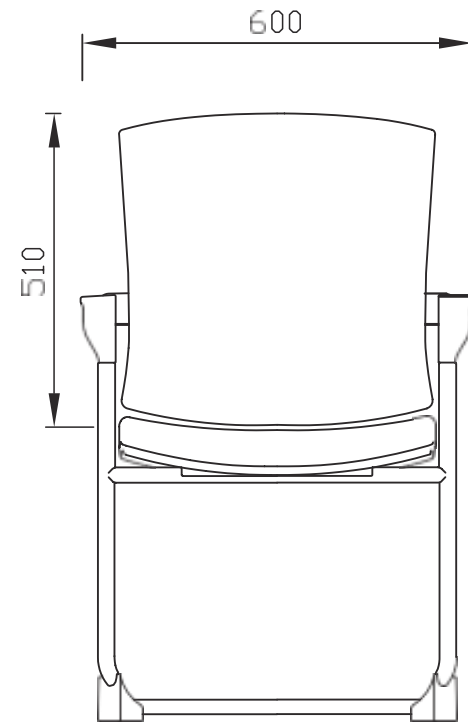
- 1:High back chair with fixed headrest.
- 2:Black nylon frame with glass fiber frame
- 3:Adjustable lumbar support
- 4:Moulded foam cushion, without seat cover
- 5:PU top with up and down adjustable armrest
- 6: Simple position lock mechanism
- 7:100#4 black gaslift
- 8:Nylon base #340
- 9:.. φ60mm PU black casters

# Nylon Base



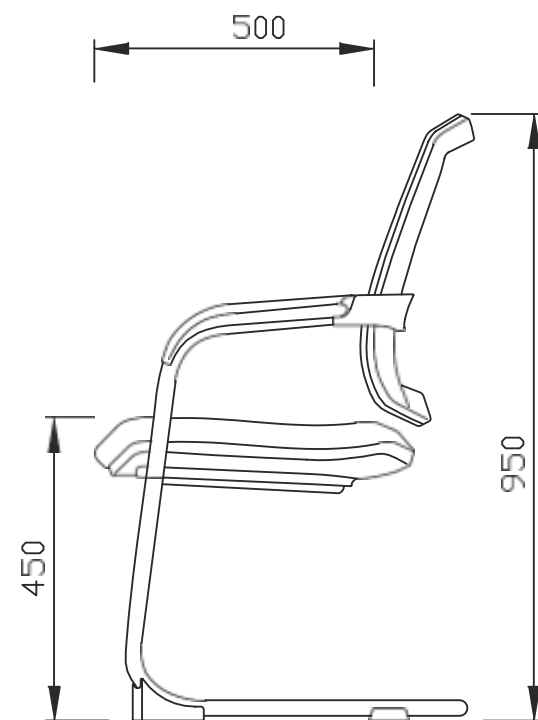
## emark

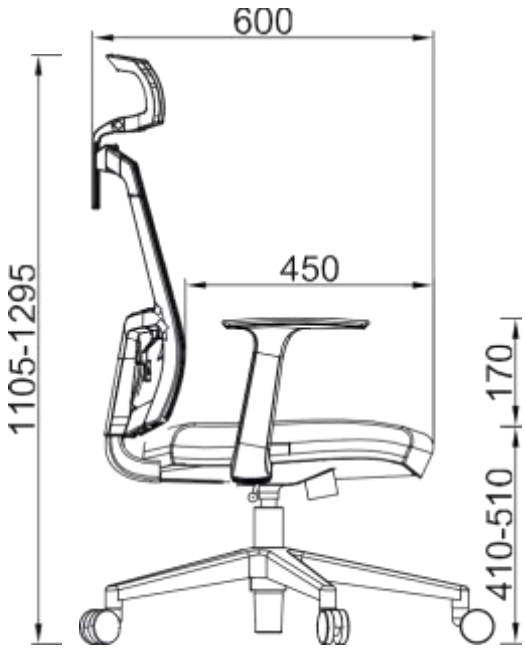
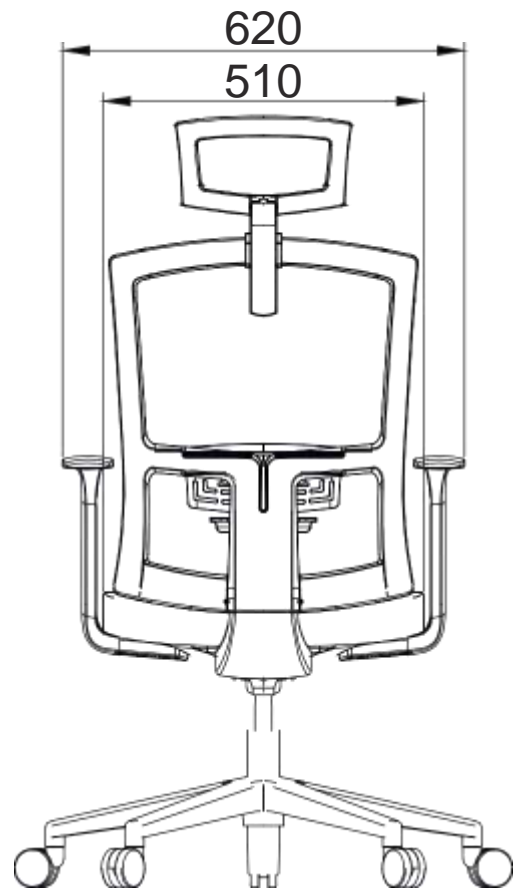
- 1:Black nylon frame with glass fiber frame
- 2:Adjustable lumbar support
- 3:Mouled foam cushion, without seat cover
- 4:PU top with up and down adjustable armrest
- 5: Simple position lock mechanism
- 6:100#4 black gaslift
- 7:Nylon base #340
- 8:. φ 60mm PU black casters



### Remark

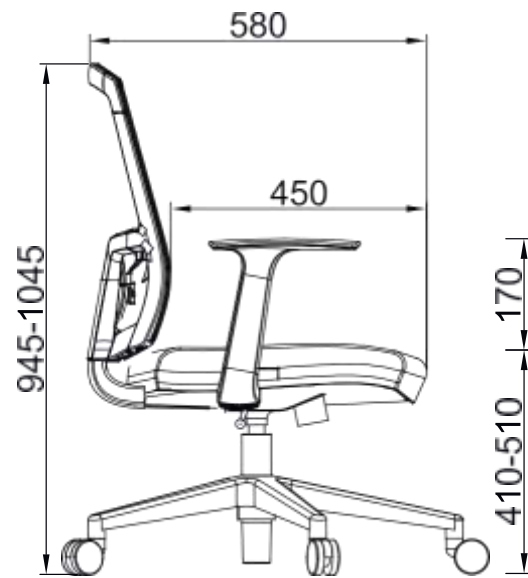
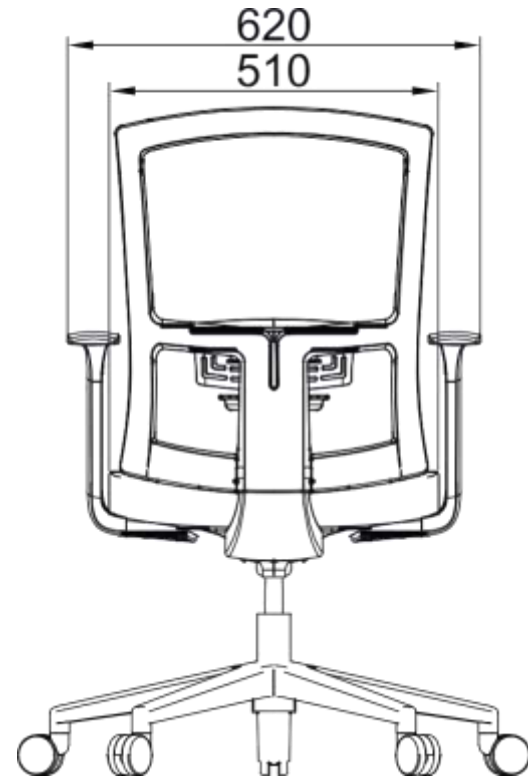
- 1:Black Visitor chair with nylon glass fiber frame
- 2:Leg and armrest connect with back, PP top armrest
- 3:#45 high density foam
- 4:Chrome leg with 1.8mm thickness





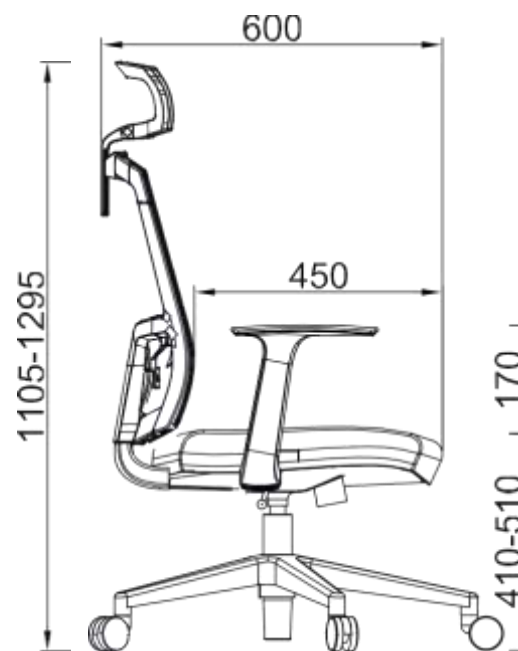
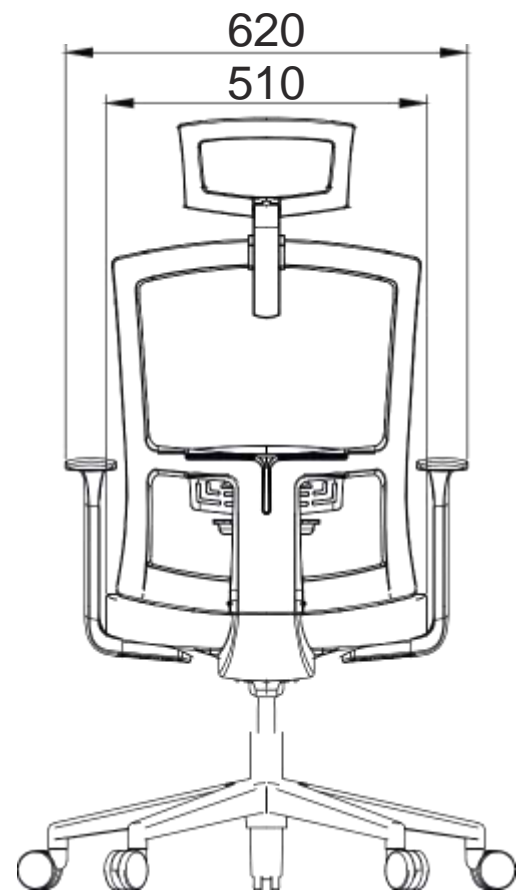
**Remark**

- 1. High quality mesh
- 2. Up and down adjustable headrest
- 3. Grey nylon glass fiber frame
- 4. Grey up and down adjustable armrest
- 5. moulded foam
- 6. Butterfly simple lock mechanism with white seat cover
- 7. 100#4 black gaslift
- 8. 340mm grey nylon base
- 9.  $\phi$  55mm black nylon casters



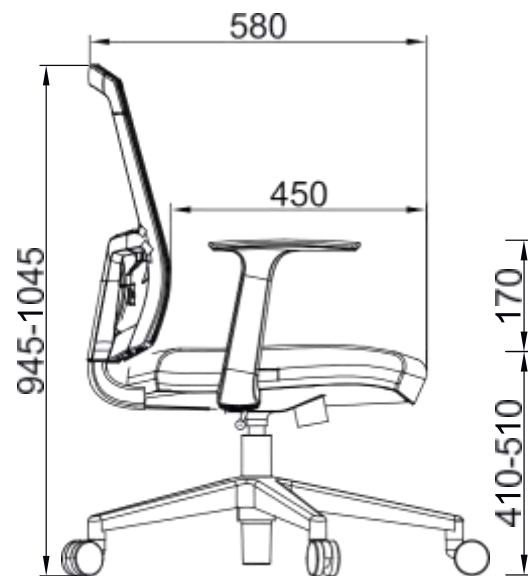
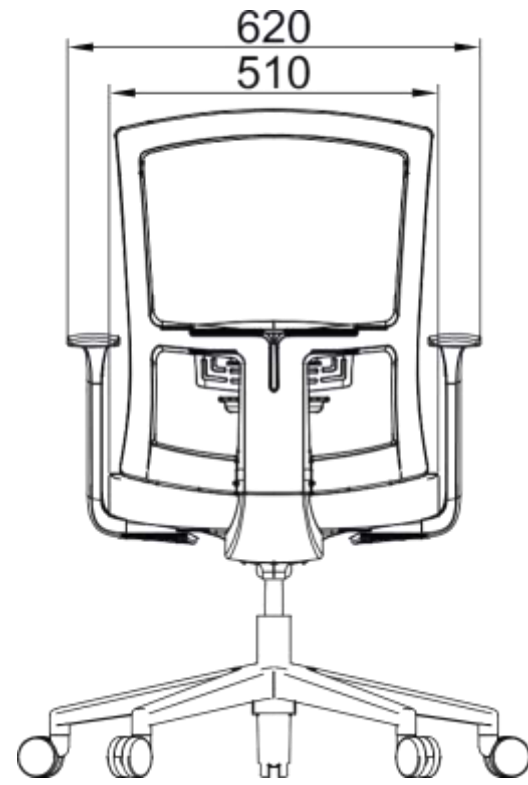
### Remark

1. High quality mesh
2. Grey nylon glass fiber frame
3. Grey up and down adjustable armrest
4. moulded foam
5. Butterfly simple lock mechanism with white seat cover
6. 100#4 black gaslift
7. 340mm grey nylon base
8.  $\phi$  55mm black nylon casters



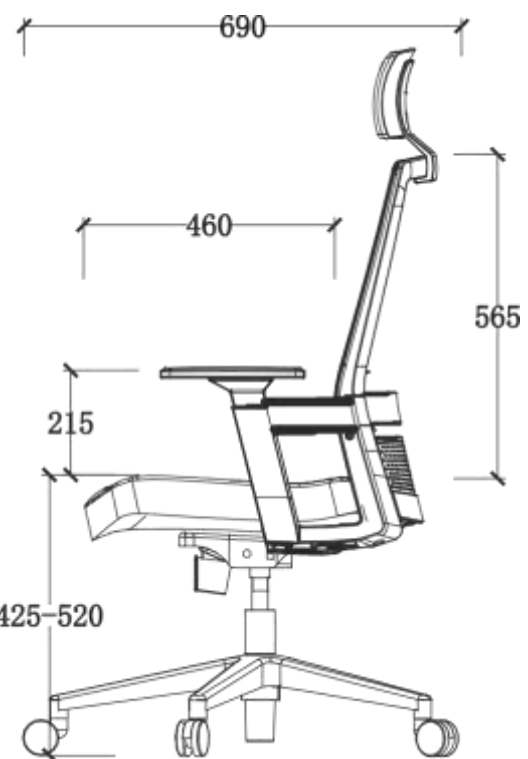
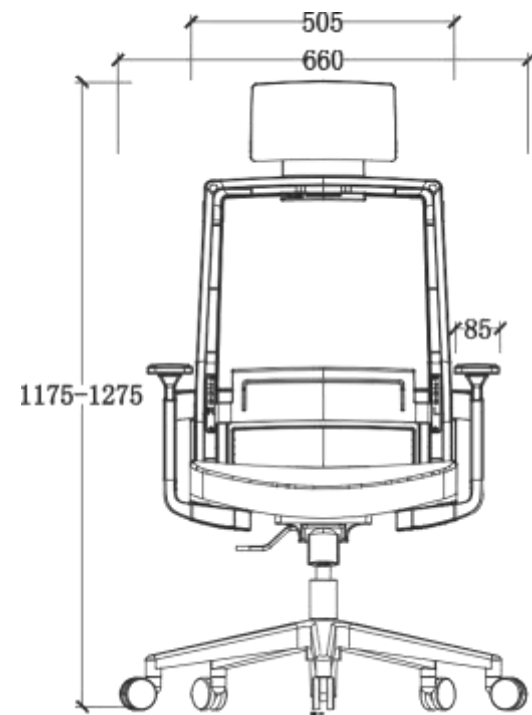
**Remark**

- 1. High quality mesh
- 2. Up and down adjustable headrest
- 3. Black nylon glass fiber frame
- 4. Black up and down adjustable armrest
- 5. moulded foam
- 6. Butterfly simple lock mechanism with black seat cover
- 7. 100#4 black gaslift
- 8. 340mm nylon base
- 9.  $\phi$  55mm black nylon casters



**Remark**

- 1. High quality mesh
- 2. Black nylon glass fiber frame
- 3. Black up and down adjustable armrest
- 4. moulded foam
- 5. Butterfly simple lock mechanism with black seat cover
- 6. 100#4 black gaslift
- 7. 340mm nylon base
- 8.  $\phi$  55mm black nylon casters

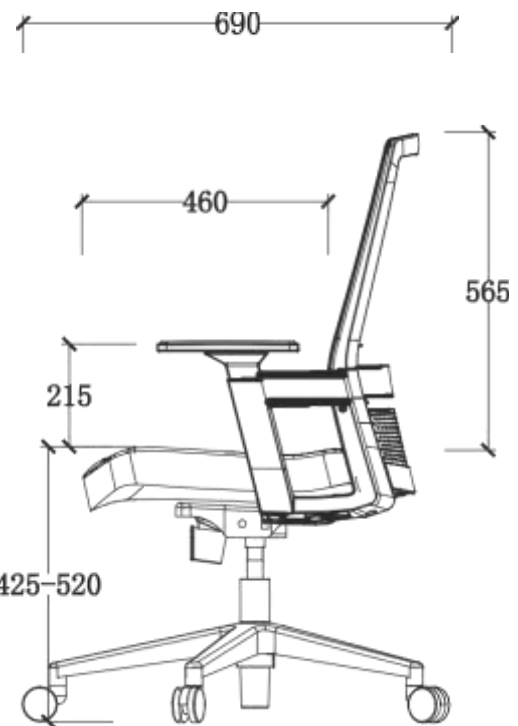
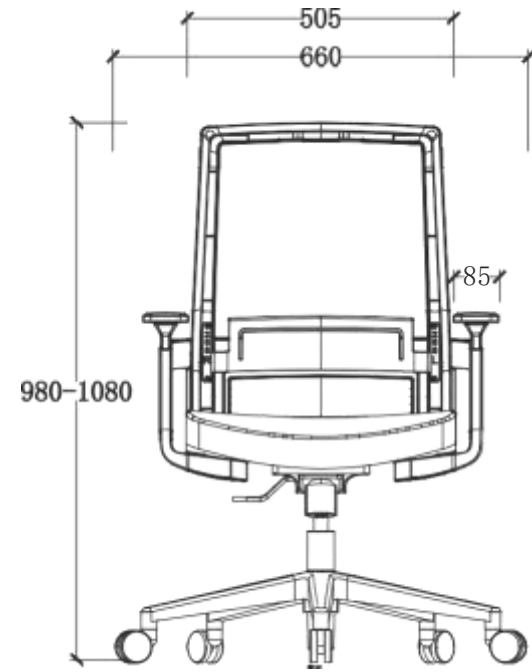


**Remark**

- 1:High back chair with up and down headrest.
- 2:Black nylon frame with glass fiber frame
- 3:Adjustable lumbar support
- 4:Moulded foam cushion, without seat cover
- 5:Fixed armrest
- 6: Simple position lock mechanism
- 7:100#4 black gaslift
- 8:Nylon base #340
- 9:.. φ 60mm PU black casters



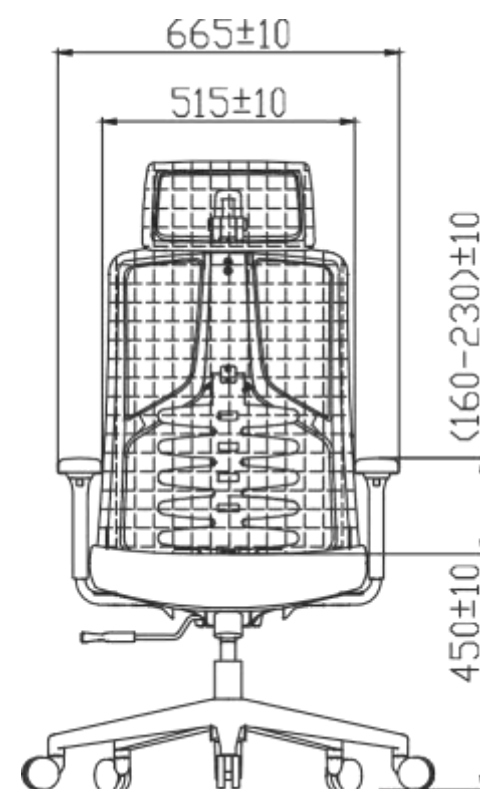
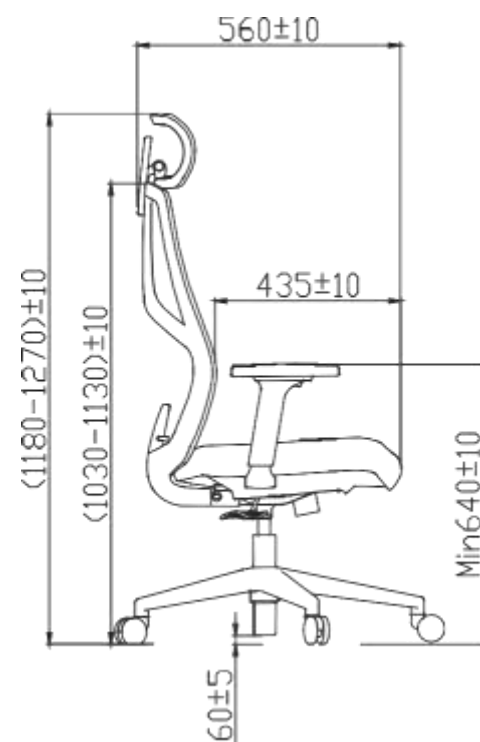




### Remark

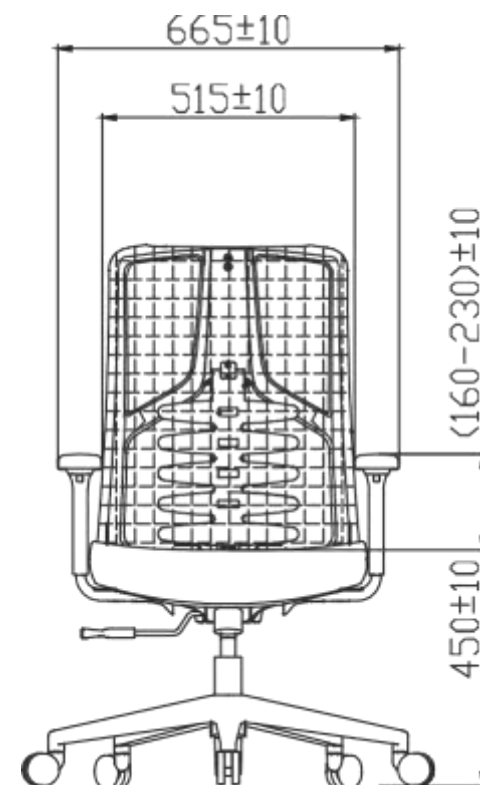
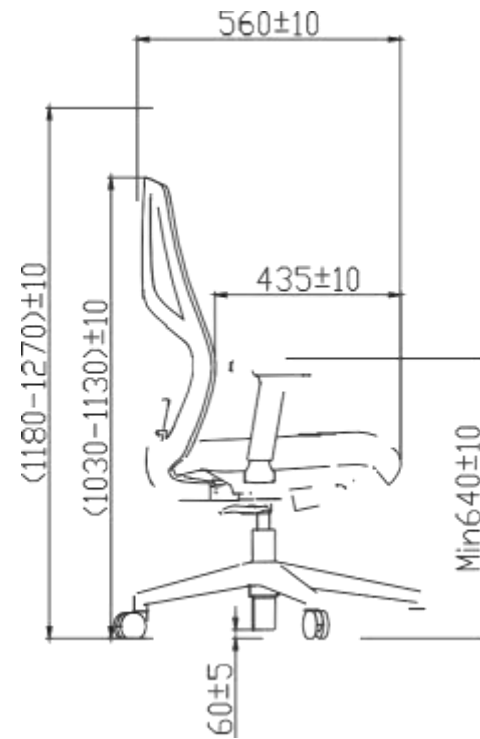
- 1:Black nylon frame with glass fiber frame
- 2:Adjustable lumbar support
- 3:Moulded foam cushion, without seat cover
- 4:Fixed armrest
- 5: Simple position lock mechanism
- 6:100#4 black gaslift
- 7:Nylon base #340
- 8:.. φ 60mm PU black casters





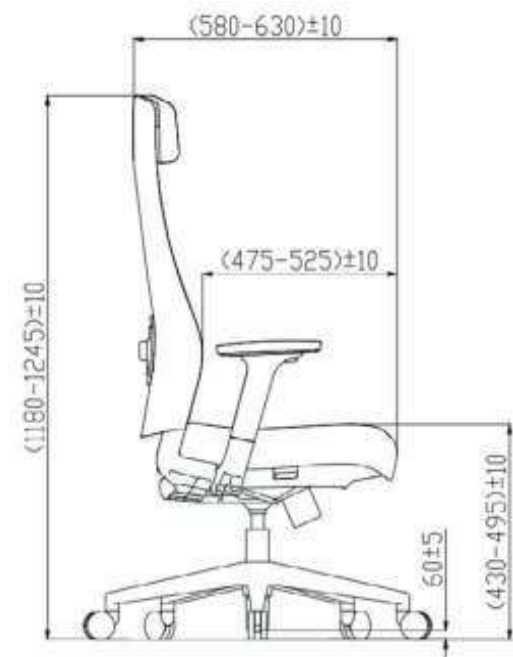
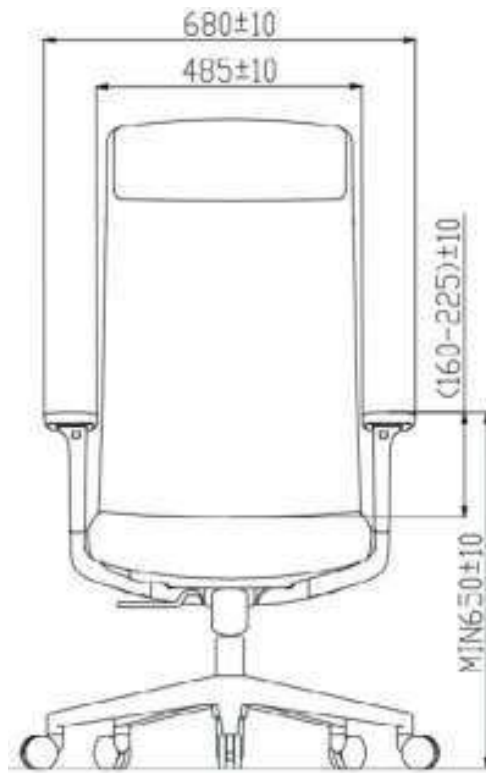
**emark**

- 1:Black nylon glass fiber frame
- 2:Adjustable headrest with swivel function
- 3:Adjustable Lumbar Support
  - Titling angle can be  $126\pm 1^\circ$
- 4:359 moulded foam
- 5:2D adjustable armrest
- 6:3 position lock mechanism
- 7:100#5 black gaslift
- 8:340 chrome base
- 9:60/25 nylon caster



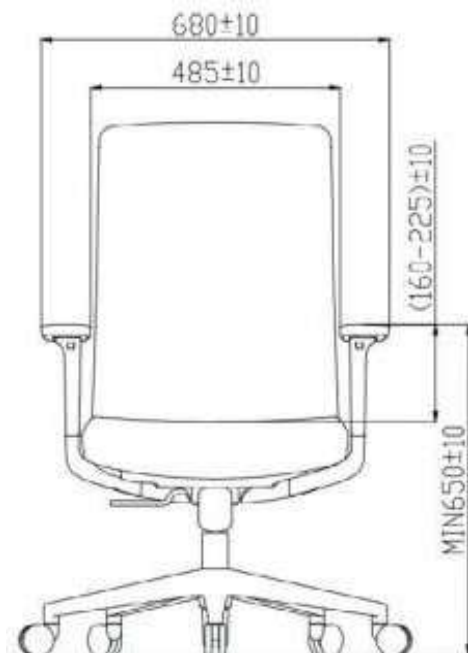
**emark**

- 1:Black nylon glass fiber frame
- 2:Adjustable Lumbar Support
  - Titling angle can be  $126\pm 1^\circ$
- 3:359 moulded foam
- 4:2D adjustable armrest
- 5:3 position lock mechanism
- 6:100#5 black gaslift
- 7:340 chrome base
- 8:60/25 nylon casters



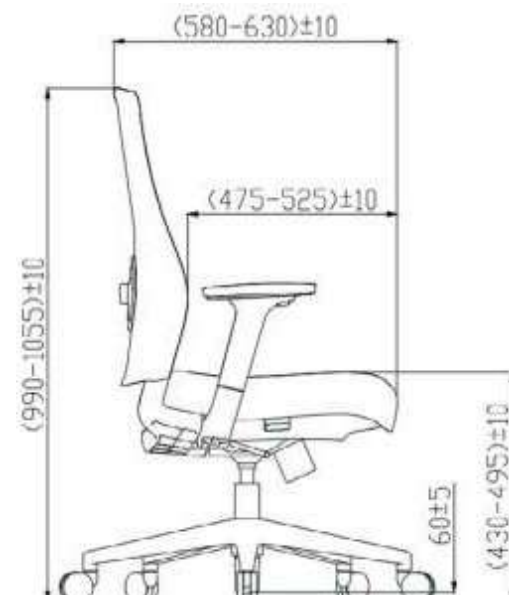
**Remark**

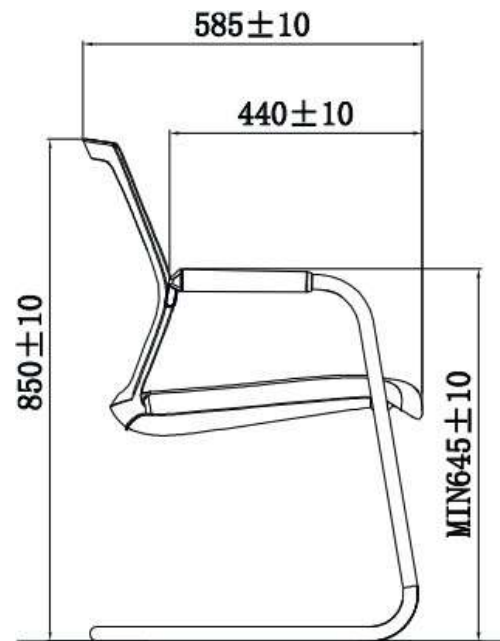
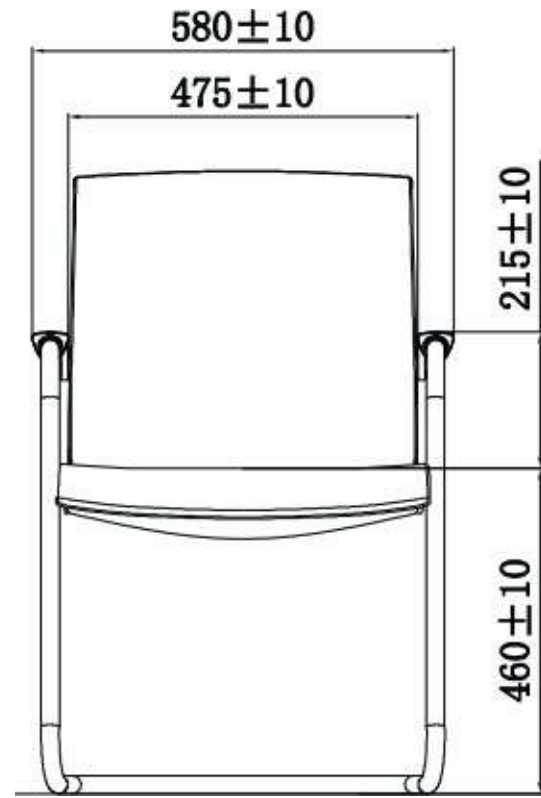
- 1:Black PU headrest
- 2:Black PU on frame and adjustable lumbar support
- 3:4D adjustable armrest
- 4:3 lock mechanism
- 5:100#4 black gaslift
- 6:Chrome base



### Remark

- 1:Black PU on frame and adjustable lumbar support
- 2:4D adjustable armrest
- 3:3 lock mechanism
- 4:100#4 black gaslift
- 5:Chrome base
- 6:Nylon casters

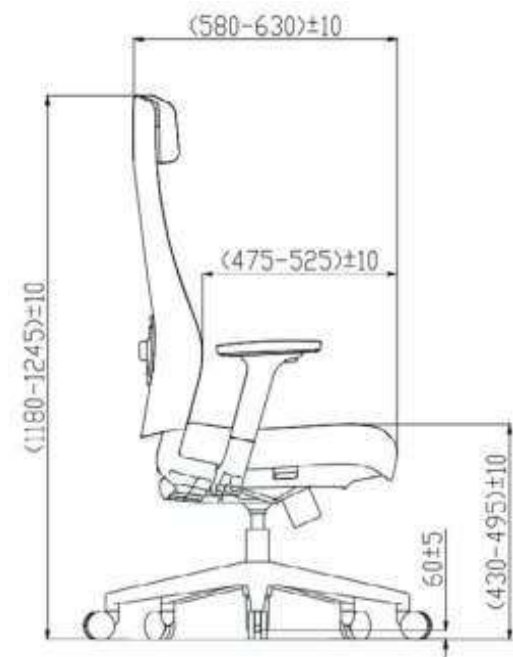
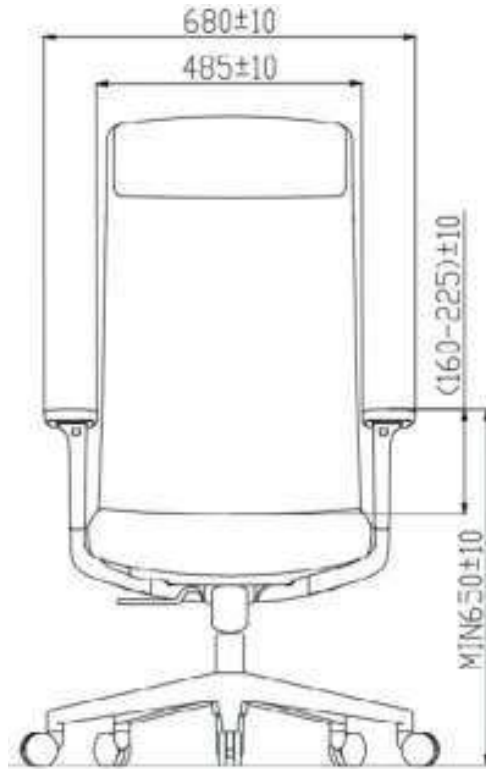




**Remark**

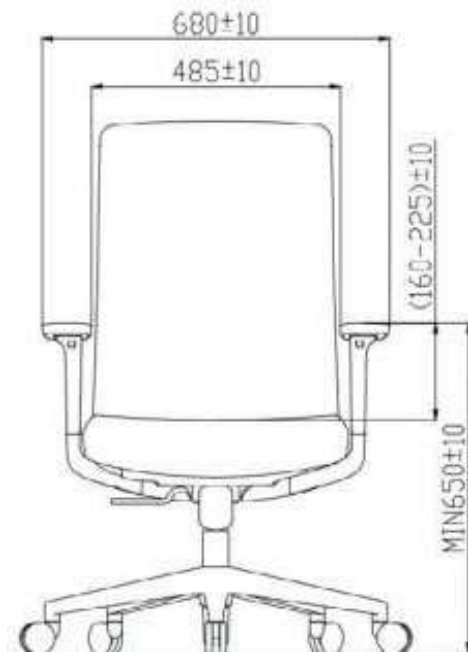
- 1: Black glass fiber frame
- 2: High density foam
- 3: Black connected fixed armrest
- 4: 25tube 1.8mm chrome bow leg





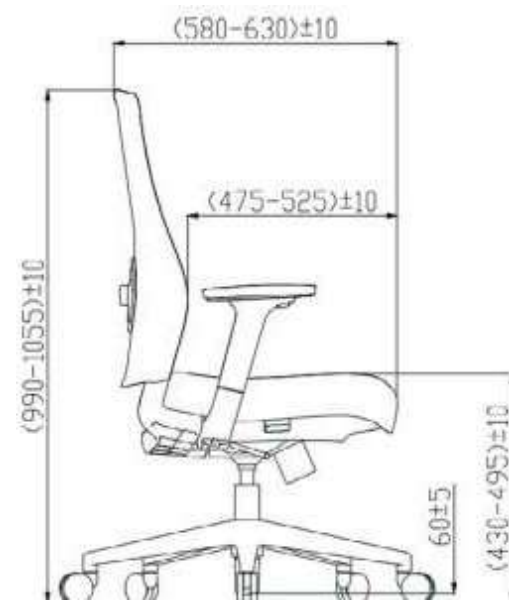
**emark**

- 1:Brown PU headrest
- 2:Black PU on frame and adjustable lumbar support
- 3:4D adjustable armrest
- 4:3 lock mechanism
- 5:100#4 black gaslift
- 6:Chrome base
- 7:Nylon casters

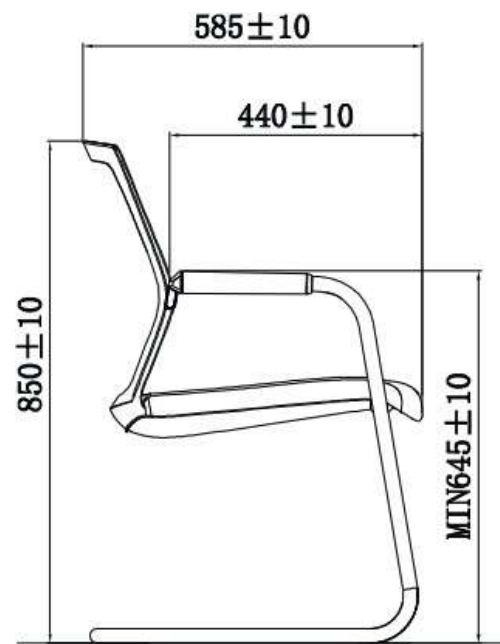
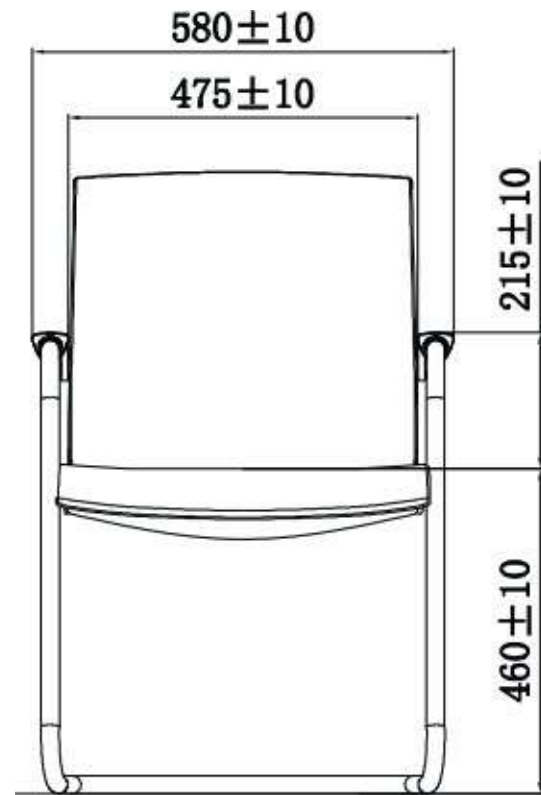


**emark**

- 1:Brown PU on frame and adjustable lumbar support
- 2:4D adjustable armrest
- 3:3 lock mechanism
- 4:100#4 black gaslift
- 5:Chrome base
- 6:Nylon casters



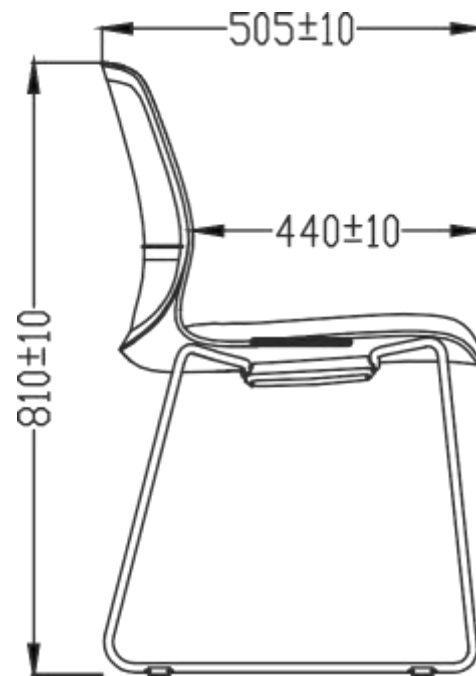
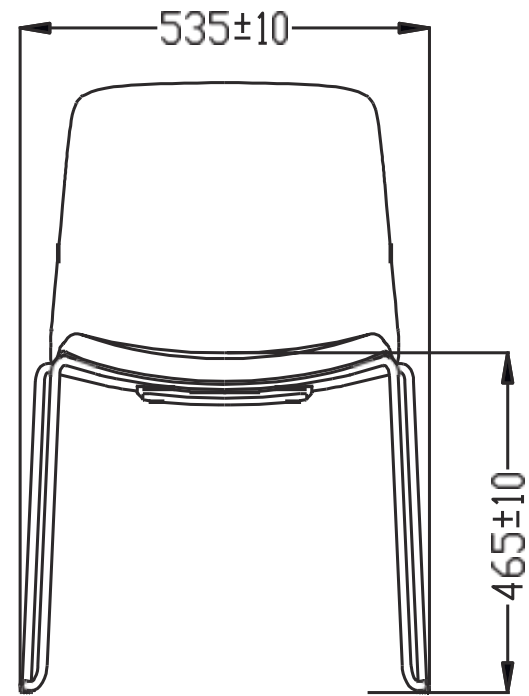




**Remark**

- 1: Black glass fiber frame
- 2: High density foam
- 3: Black connected fixed armrest
- 4: 25tube 1.8mm chrome bow leg

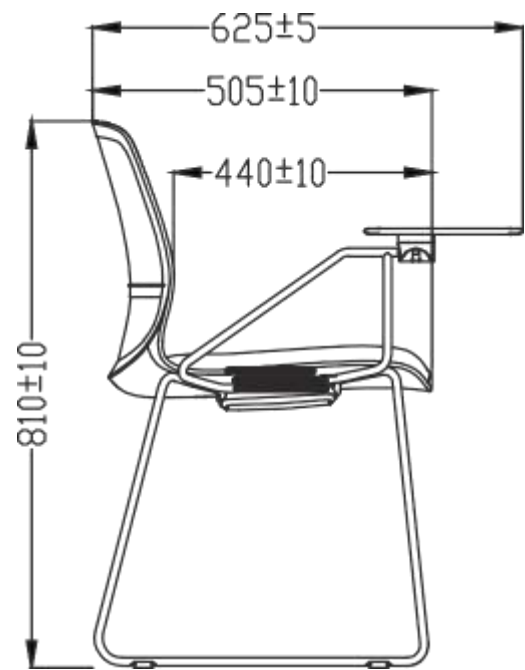
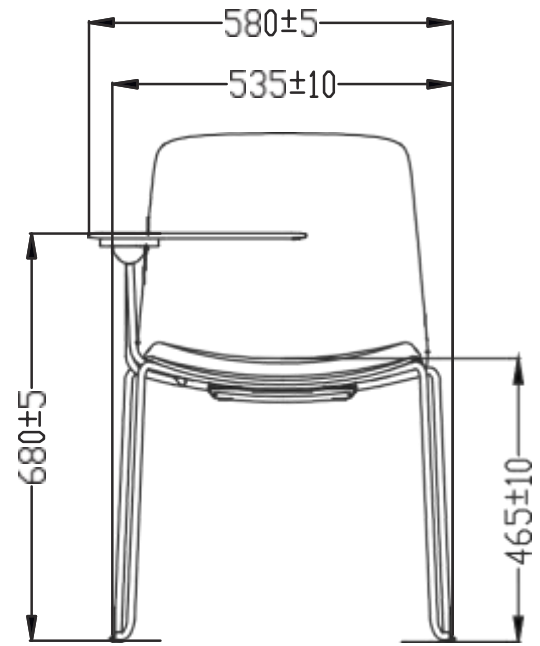




### Remark

- 1: White Frame chair
- 2: Grey Fabric
- 3: White Painted leg

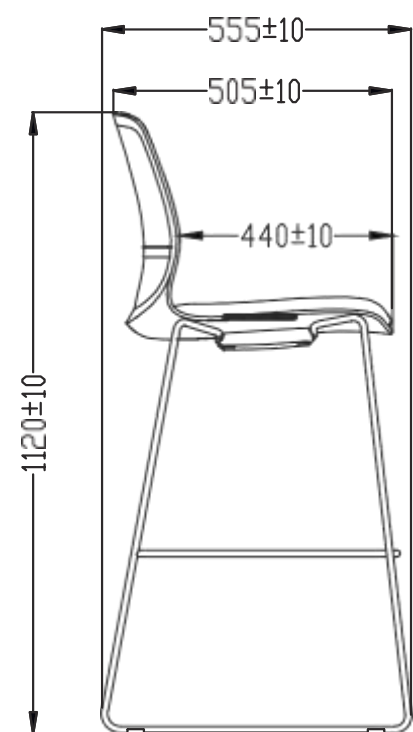
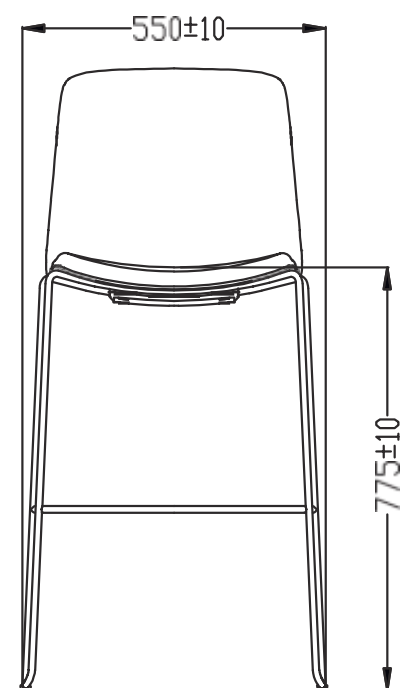




**Remark**

- 1:White Frame chair
- 2:Grey Fabric
- 3:White Painted leg
- 4:PA nylon writing pad

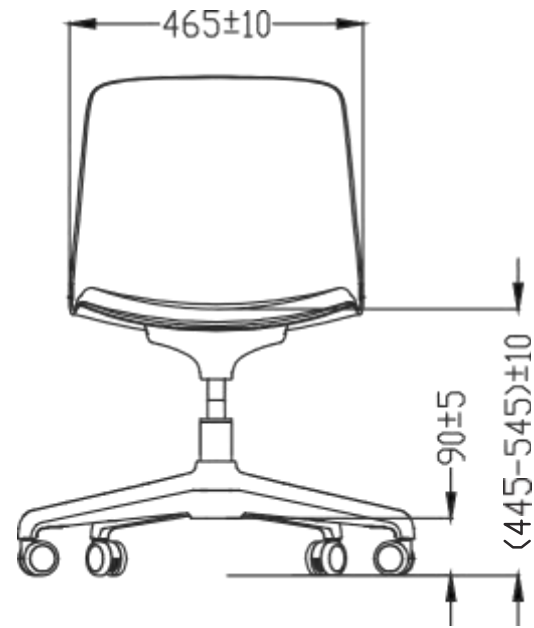




### Remark

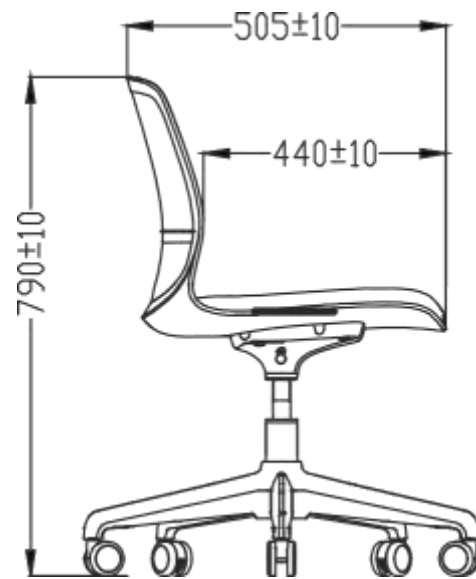
- 1: White Frame chair
- 2: Grey Fabric
- 3: White Painted leg

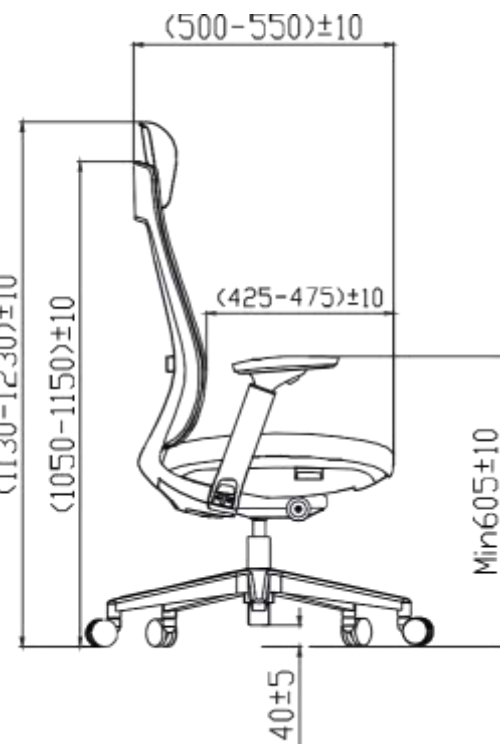
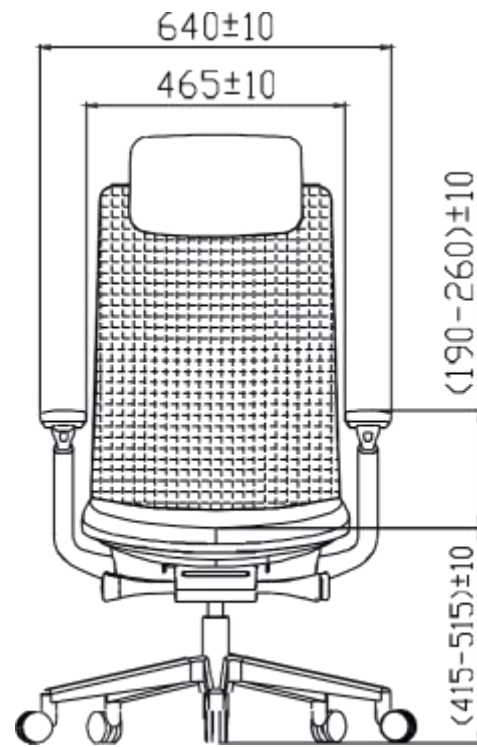




**Remark**

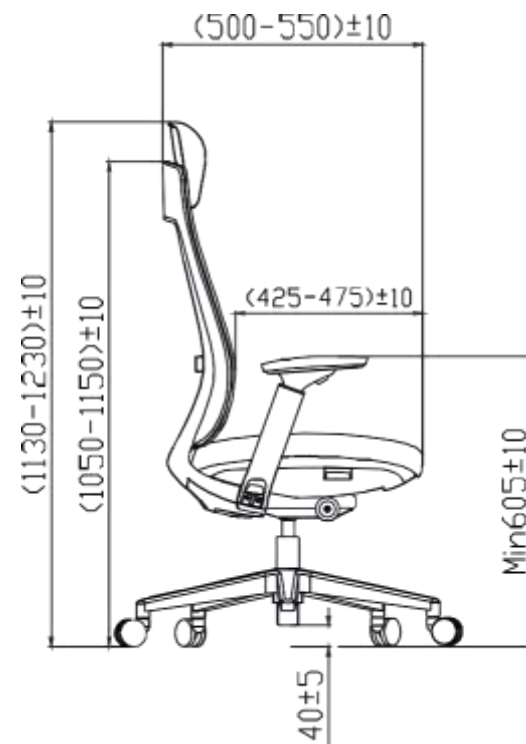
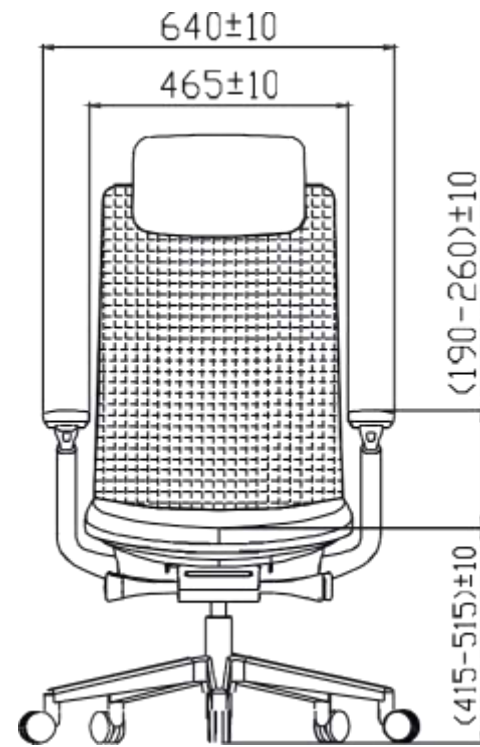
- 1: White Frame chair
- 2: Grey Fabric
- 3: 100#white gaslift with white nylon base





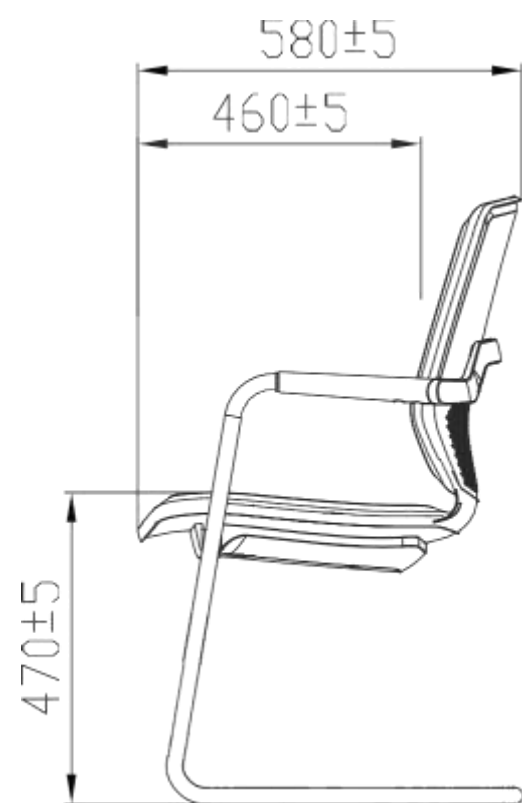
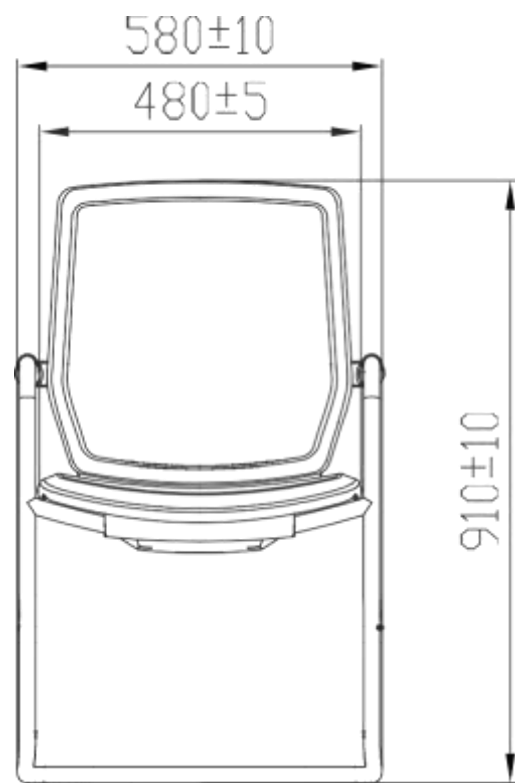
**Remark**

1. Black frame office chair with Nylon glass fiber frame
2. Moulded foam Up and down adjustable fabric headrest
3. Adjustable lumbar support,
4. PU top 3D adjustable armrest.
5. Four positions lock mechanism with sliding seat
- 6: Black gaslift
7. Chrome base #340
8.  $\phi$  60mm PU black casters



**emark**

1. Black frame office chair with Nylon glass fiber frame
2. Adjust lumbar support,
3. PU top 3D adjustable armrest.
4. Four positions lock mechanism with sliding seat
5. Black gaslift
6. Chrome base #340
7.  $\phi$  60mm PU black casters

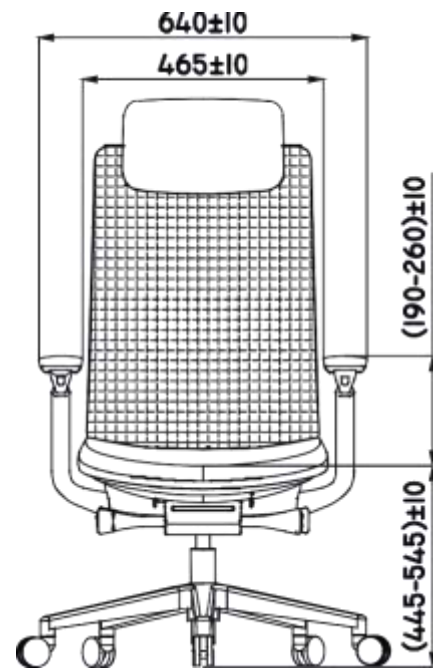


### Remark

- 1:Black Visitor chair
- 2:Fabric on both back and seat
- 3:Moulded foam
- 4:Sliding seat

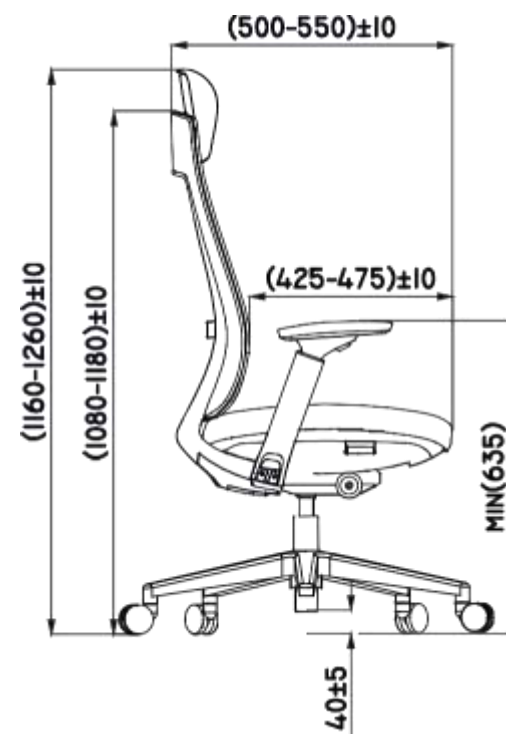


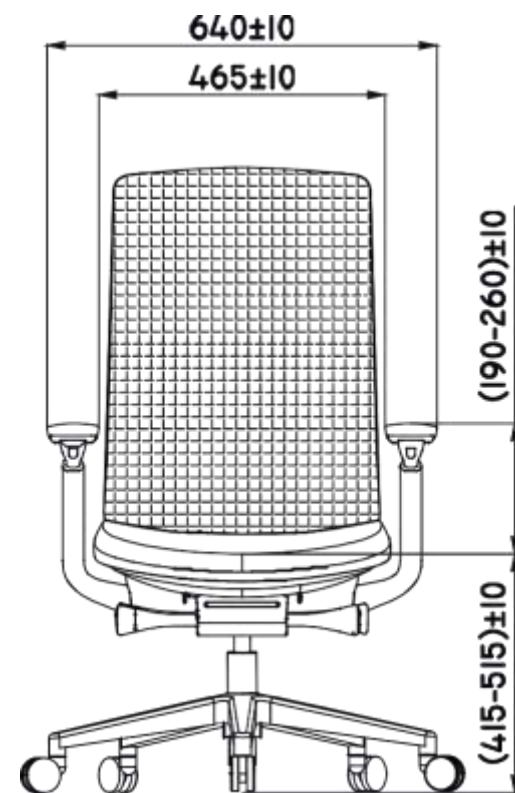
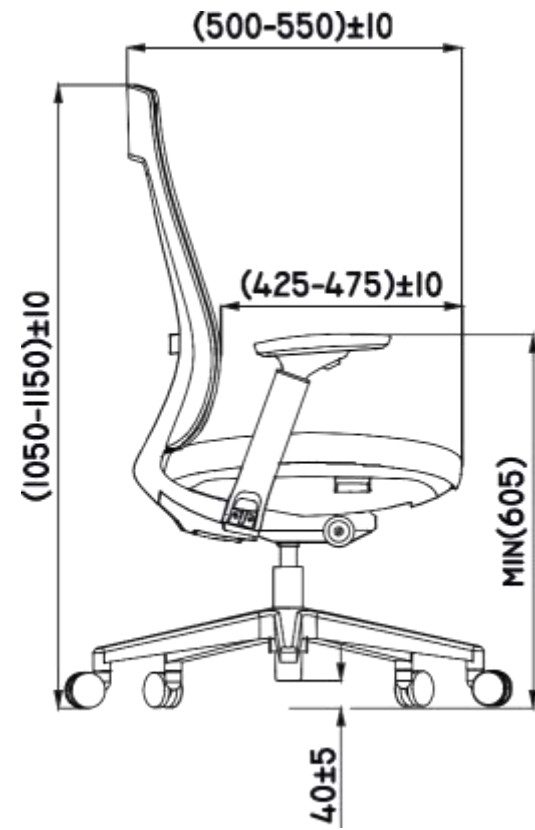




**Remark**

- 1: White Frame Office chair
- 2: 3D adjustable armrest
- 3: Moulded foam with up and down adjustable headrest
- 4: Four position lock mechanism. angle 21 titling.
- 5: Chrome base

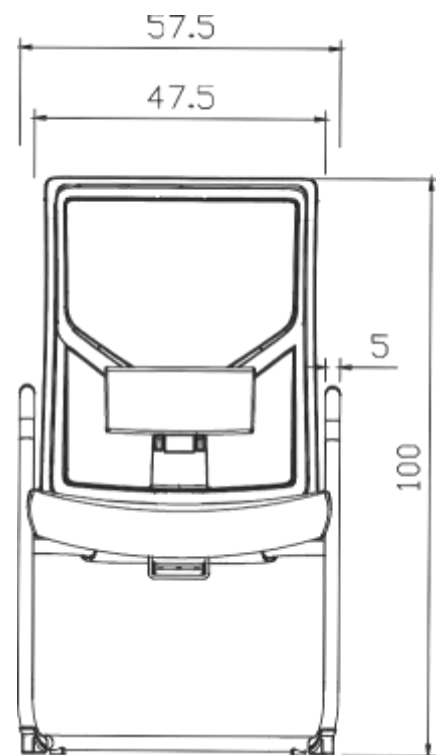
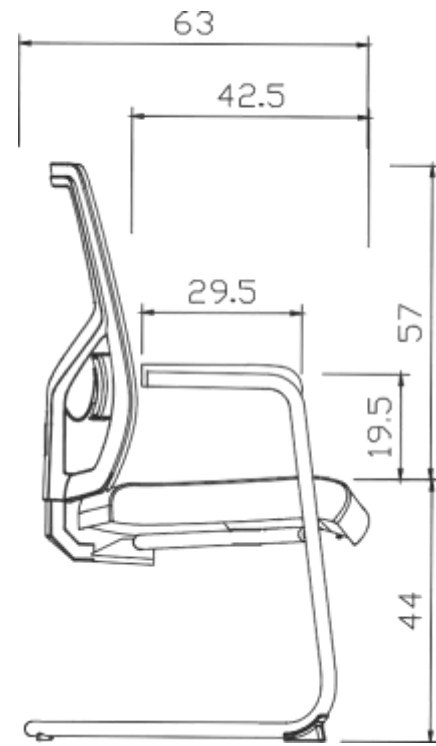




**Remark**

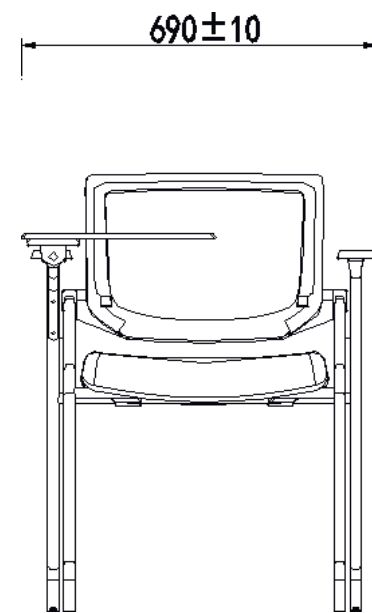
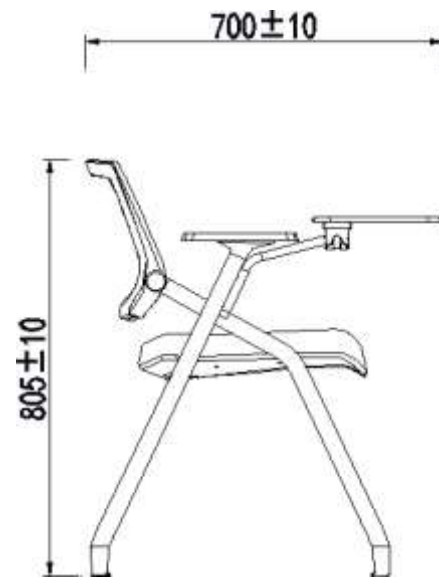
- 1: White Frame Office chair
- 2: 3D adjustable armrest
- 3: Four position lock mechanism. angle 21 titling .
- 4: Chrome base





**emark**

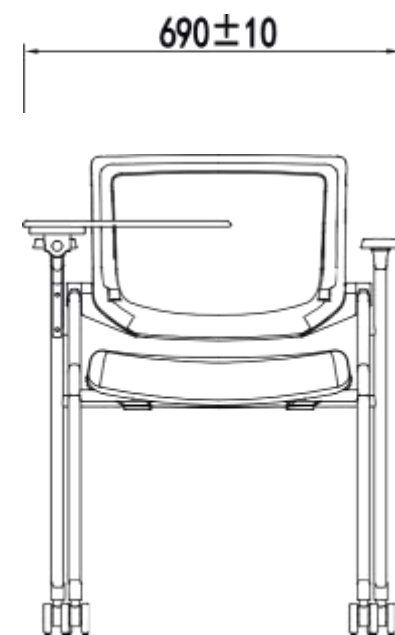
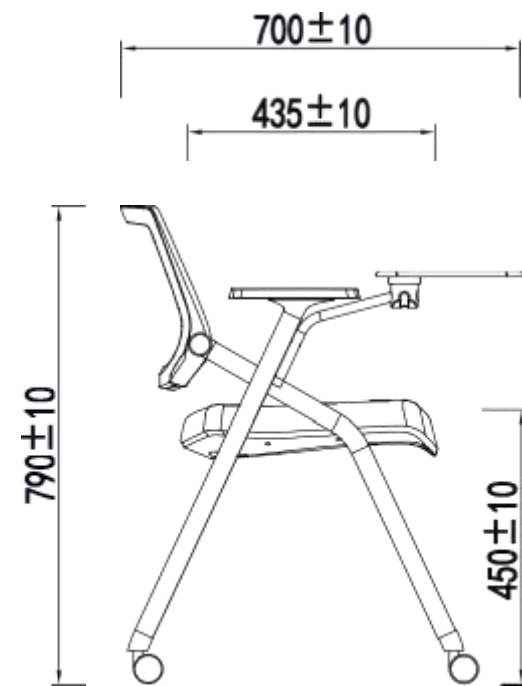
- 1: White glass fiber fram wi th black PP fixed armrest
- 2: Moulded foam



**emark**

- 1:High quality black nylon glass fiber frame with mesh
- 2:titling back and sliding armrest
- 3:Turnable writing pad
- 4:Folding leg

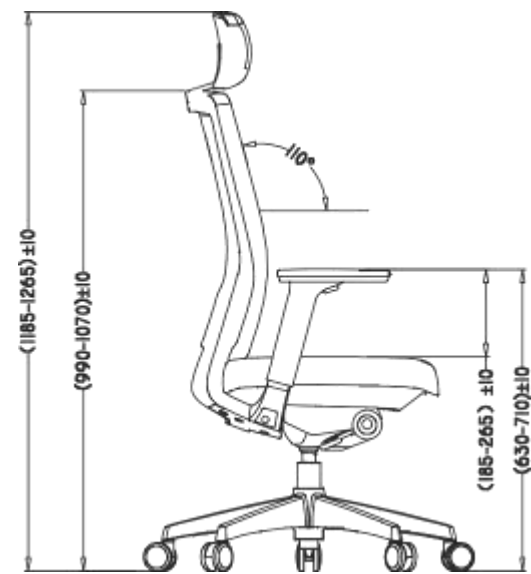
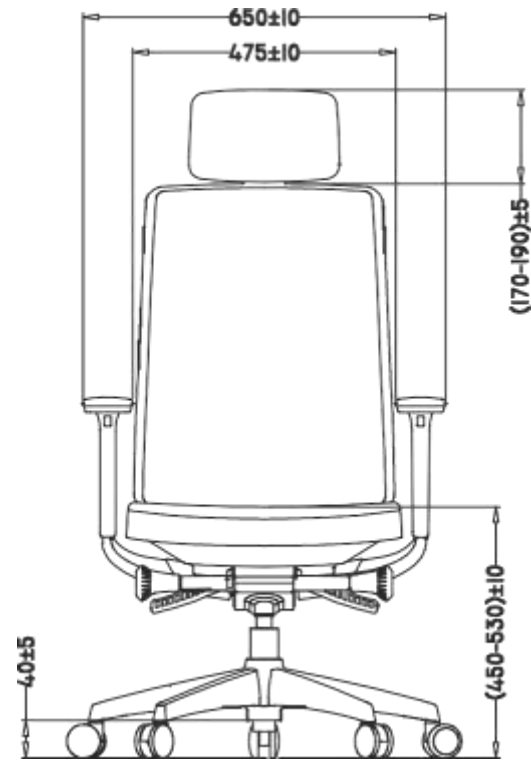




**emark**

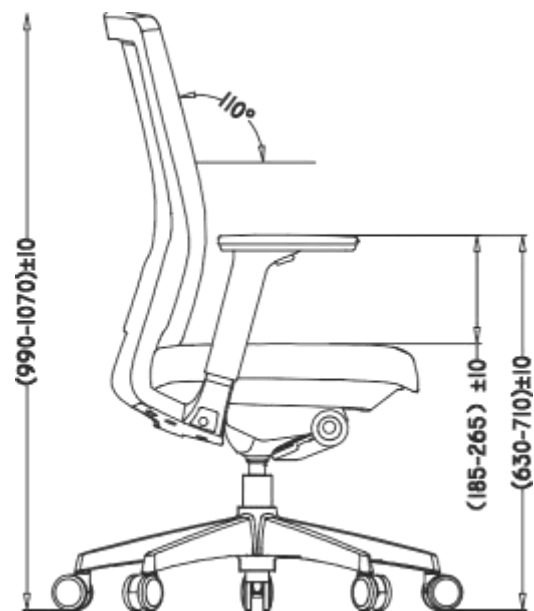
- 1:High quality black nylon glass fiber frame with mesh
- 2:titling back and sliding armrest
- 3:Turnable writing pad
- 4:Folding leg with wheels





**emark**

- 1:High back PU chair with adjustable headrest
- 2:Moulded foam with adjustable armrest
- 3:3 locking mechanism
- 4:Grey nylon base with Korea KGS gaslift. 60MM pu casters



### Remark

- 1:Medium back office chair
- 2:Moulded foam with adjustable armrest
- 3:3 locking mechanism
- 4:Grey nylon base with Korea KGS gaslift. 60MM pu casters

